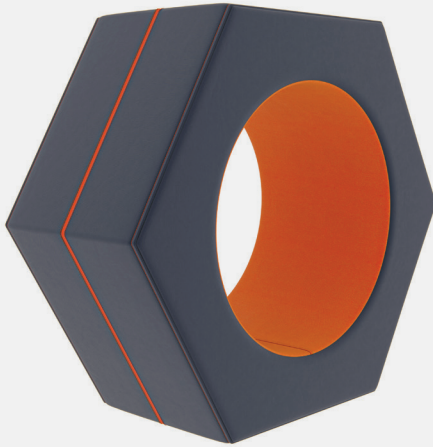


NEST SERIES LUG NEST

Product No. F129

Our patent pending Nest Series* is where mindfulness and reflection meet. The Lug Nest* is the perfect spot for a little alone time. Learners can tuck away in this sound dampening space to find a comfortable and safe space to sit, read and reflect. The solid foam construction allows for light-weight and easy movement.



DETAILS

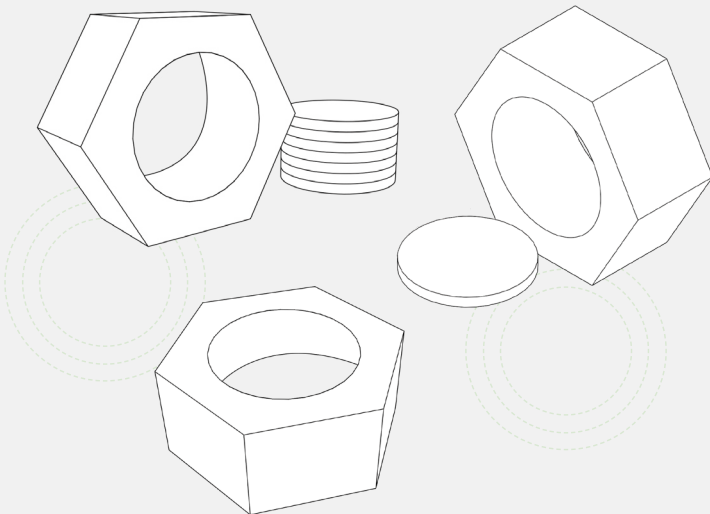
CONSTRUCTION

- Solid foam construction
- Reinforced seams and stitching
- Fully zippered (no wood base)
- Patent pending
- Made in USA
- Backed with a lifetime warranty

MODIFICATION

- Textile and placement
- Colored stitching
- Embroidery

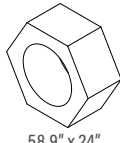
QUICK COMBOS



Fōmcore
SERVE. CREATE. INSPIRE.

HOW TO SPECIFY F129

STEP 1: HEIGHT

DIMENSION (L x W x H)	HEIGHT
 58.9" x 24"	51"

STEP 2: FULLY ZIPPERED

FULLY ZIPPERED



Fully Zippered (Z)

**Reference the product breakdown on back for availability.*

STEP 3: GRADE AND TEXTILE

GRADES & SWATCHES



**Thread will default to match the seat textile.*

COLOR GUIDE



STEP 4: ACCESSORIES (OPTIONAL)

EMBROIDERY

- Personalize your furniture with embroidery!
- We can embroider logos up to 12" x 15".

EMBROIDERY SPECS »



PASSES

CAL TB-133

**Reference the product breakdown on back for availability.*

STEP 5: CONFIGURE PART NUMBER

FILL IN YOUR PART NUMBER

F	1	2	9	-	5	8	.	x	2	4	x	5	1	-	Z									
FAMILY					L								W				H				ZIP			
STEP 1												STEP 2												

EXAMPLE PART NUMBER

F	1	2	9	-	5	8	.	x	2	4	x	5	1	-	Z									
FAMILY					L								W				H				ZIP			

STEP 6: CONFIGURE DESCRIPTION

FILL IN YOUR DESCRIPTION

1. INSIDE

1. Inside				
LOCATION	GRADE	MANUFACTURER	PATTERN	COLOR

2. SIDES

2. Side				
LOCATION	GRADE	MANUFACTURER	PATTERN	COLOR

3. OUTSIDE

3. Outside				
LOCATION	GRADE	MANUFACTURER	PATTERN	COLOR

EMBROIDERY*

Seat	Rocket Logo
LOCATION	NAME

STEP 3

EXAMPLE DESCRIPTION

1. INSIDE

1. Inside	1	Spradling	Silvertex	Sage
LOCATION	GRADE	MANUFACTURER	PATTERN	COLOR

2. SIDES

2. Side	3	Momentum	Tribeca	Fossil
LOCATION	GRADE	MANUFACTURER	PATTERN	COLOR

3. OUTSIDE

3. Outside	3	Momentum	Tribeca	Fossil
LOCATION	GRADE	MANUFACTURER	PATTERN	COLOR

EMBROIDERY*

Seat	Rocket Logo
LOCATION	NAME

*Optional add-ons. Reference product breakdown for availability.

INCLUDE ON PURCHASE ORDER

EXAMPLE CONFIGURATION

F129-58.9x24x51-Z

1. Inside: Grade 1, Spradling, Silvertex, Sage | 2. Sides: Grade 3, Momentum, Tribeca, Fossil

3. Outside: Grade 3, Momentum, Tribeca, Fossil | Embroidery: Seat, Rocket logo

PRODUCT BREAKDOWN

LUG NEST (F129)

Product No.	Dimen./Weight (L x W x H)	FOOT OPTIONS											INTEGRATED POWER OPTION										TFL	Emb.			
		Zip Z	Standard G1 LI		3" Premium R3 C3		6" Premium S16 S29 C6 T6 R6 M6				Standard G1 LI		3" Premium R3 C3		6" Premium S16 S29 C6 T6 R6 M6												
F129-58.9x24x51	58.9" x 24" x 51" 39 lbs.	✓	-	-	-	-	-	-	-	-	-	-	-	-	-	-	-	-	-	-	-	-	-	-	-	-	✓



1770 E. Keating Ave - Muskegon, MI 49442 • Tel: 231.366.4791 • www.fomcore.com

ADDITIONAL
RESOURCES »

