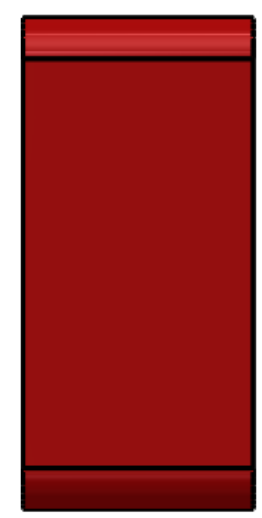
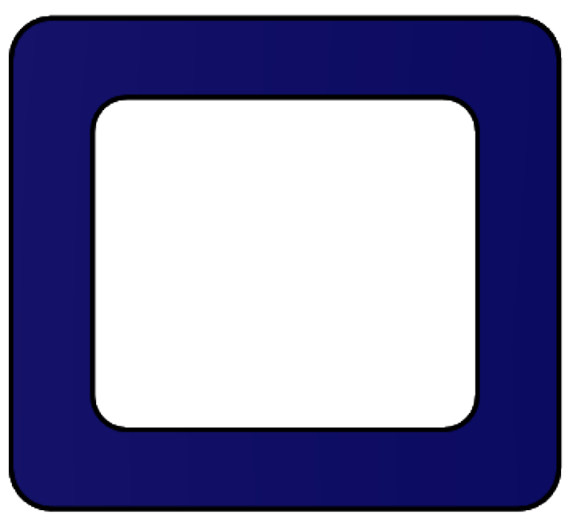
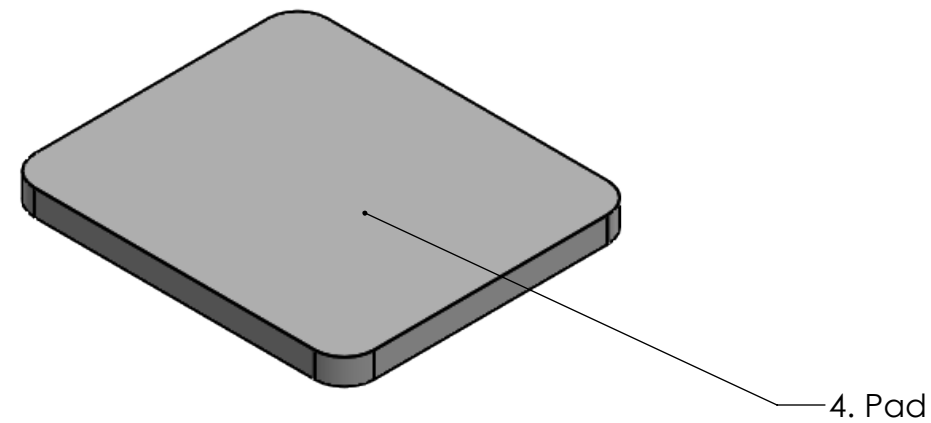
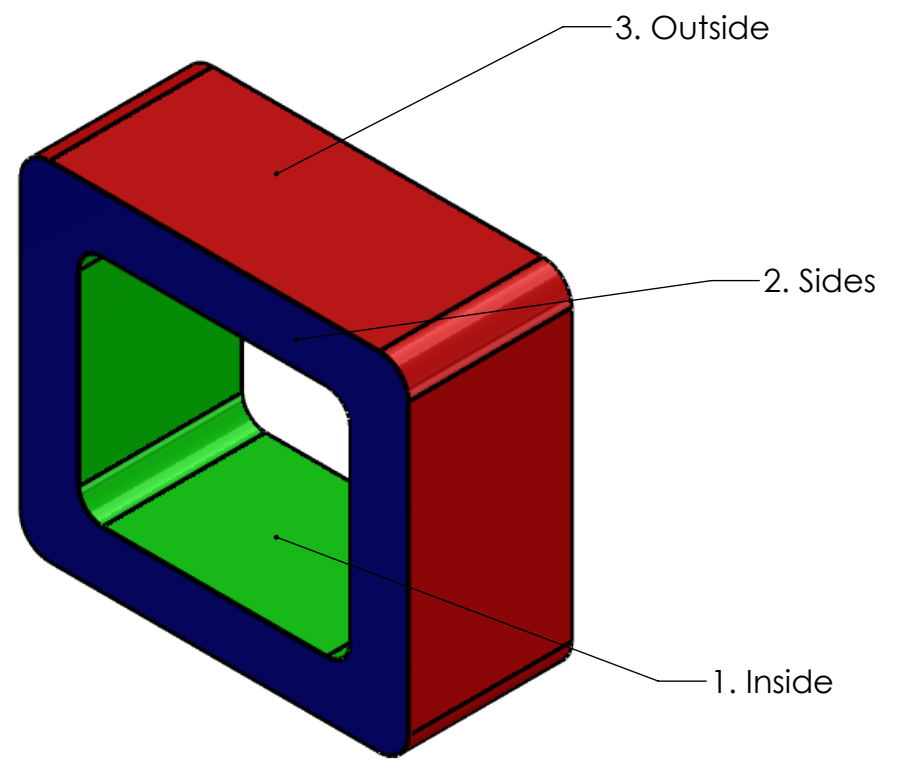



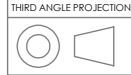
8 7 6 5 4 3 2 1

D  
C  
B  
A

D  
C  
B  
A



Number	Surface	Color
1	Inside	
2	Sides	
3	Outside	
4	Pads (optional)	

<p><b>PROPRIETARY AND CONFIDENTIAL</b></p> <p>THE INFORMATION CONTAINED IN THIS DRAWING IS THE SOLE PROPERTY OF FOMCORE LLC. ANY REPRODUCTION IN PART OR AS A WHOLE WITHOUT THE WRITTEN PERMISSION OF FOMCORE LLC IS PROHIBITED.</p>	NAME	DATE		
	DRAWN	Jonathan Gerber		5/14/2020
	CHECKED			
	ENG APPR.			
	MFG APPR.			
Q.A.			<p>PART NO.</p> <p><b>Colorguide for Nest Series</b></p>	
<p>COMMENTS:</p> <p>All dimensions are within a tolerance of ± 1/4"</p>		<p>DESCRIPTION</p> <p>Surface Colorguide for Nest Series and Pads</p>	<p>SIZE</p> <p><b>B</b></p>	<p>REV</p> <p><b>1</b></p>
<p>DO NOT SCALE DRAWING</p>	<p>SCALE: 1:20</p>	<p>WEIGHT: 41.91</p>	<p>SHEET 1 OF 1</p>	

8 7 6 5 4 3 2 1