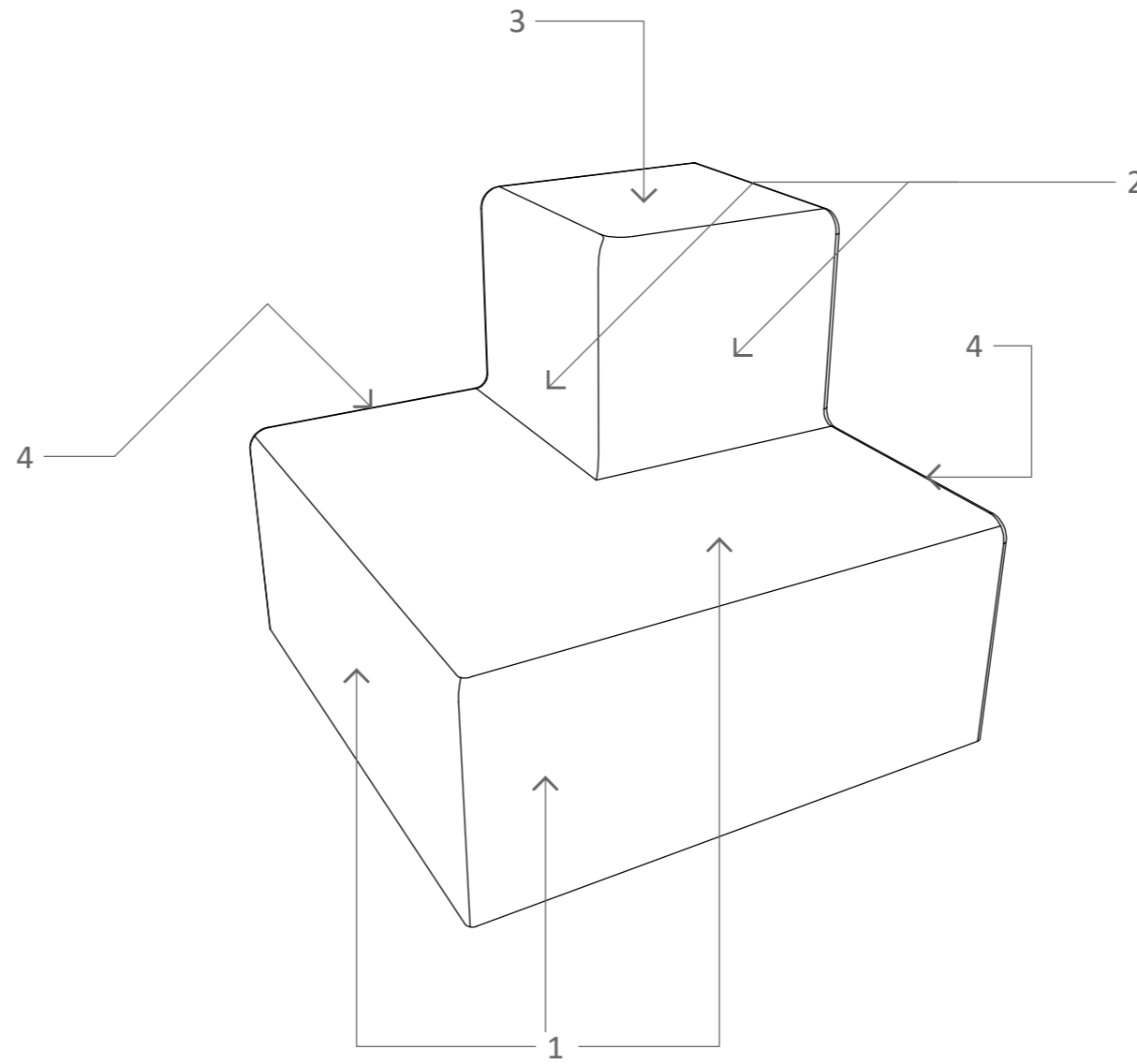
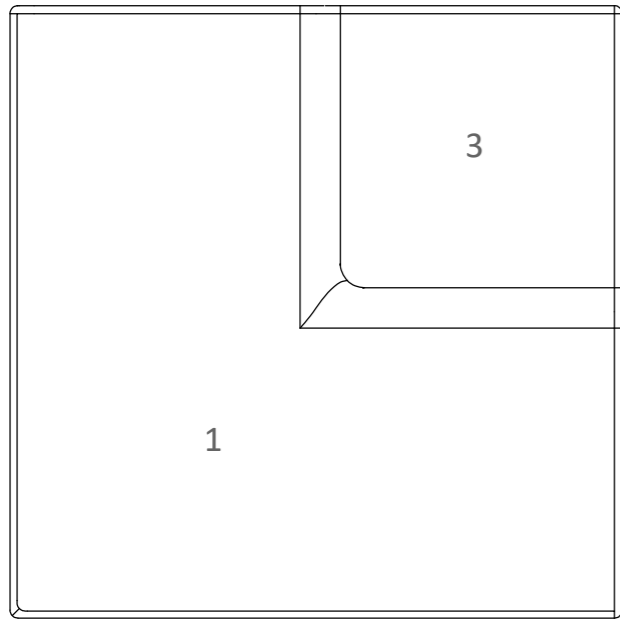


F030 (2STEP OUT)

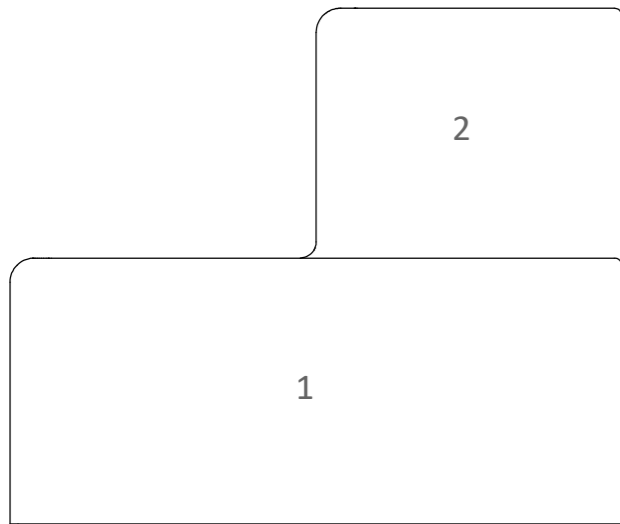
TOP VIEW



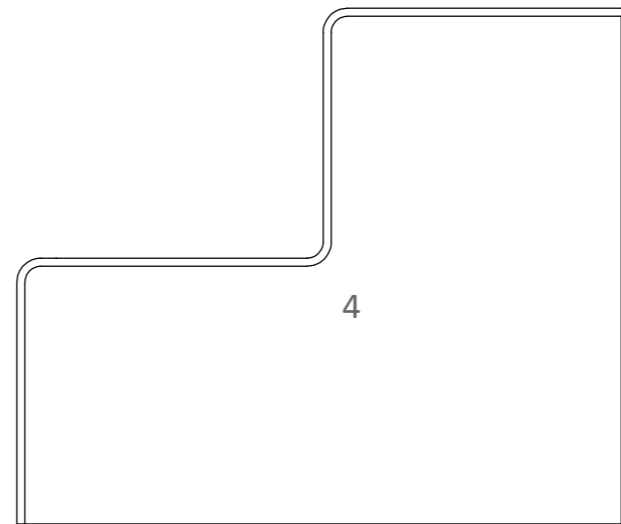
Color


- 1-
- 2-
- 3-
- 4-

FRONT VIEW



SIDE VIEW



 4	Project	Part	Subject	Material	Unit	Date
	Foam Furniture	F030	Color Guide	Foam	Inch	20180418
	Design	Draw	Client			
	@Ind. D. Michel Lugo Tamayo			Z Supply		