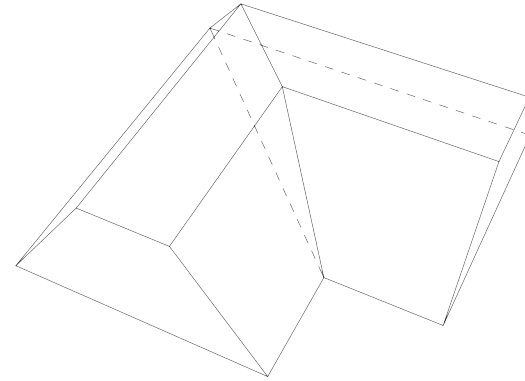
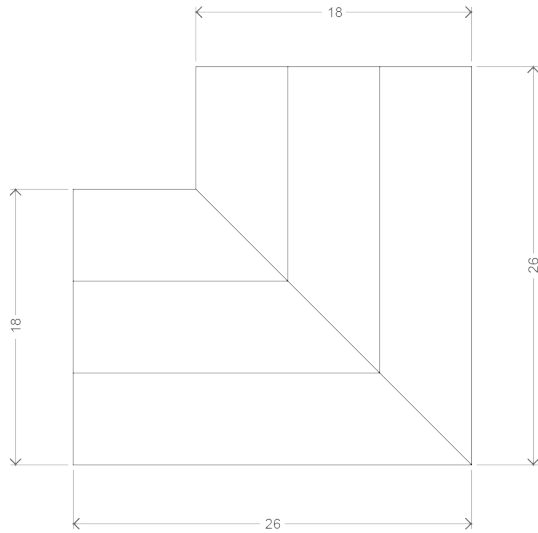
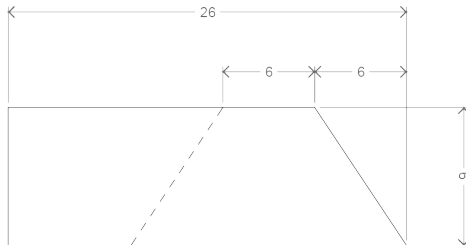
 Soft Seating Solutions		
TITLE: BEAM		
SIZE A	DWG. NO. BEAM	REV 1
DRAWN BY: B. Matiga		DATE: 10/01/18
DO NOT SCALE DRAWING ALL DIMENSIONS IN INCHES		SHEET 1 OF 1

Art-X Beam R+L

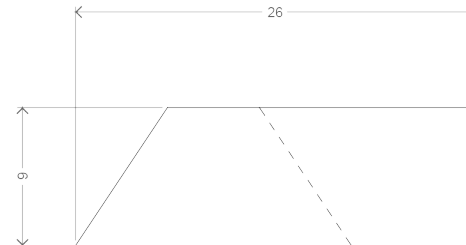
TOP VIEW



FRONT VIEW



SIDE VIEW



Project	Part	Subject	Material	Unit	Date
FoamFurniture	XBEAM R	TOP	PU Foam	inches	20181004
Design	Draw		Client		
@Ind. D. Michel Lugo Tamayo			Z Supply		