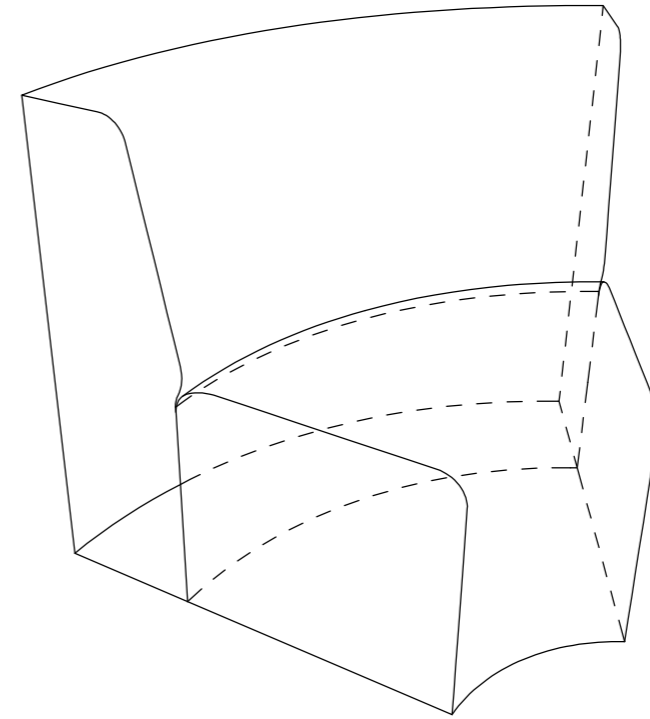
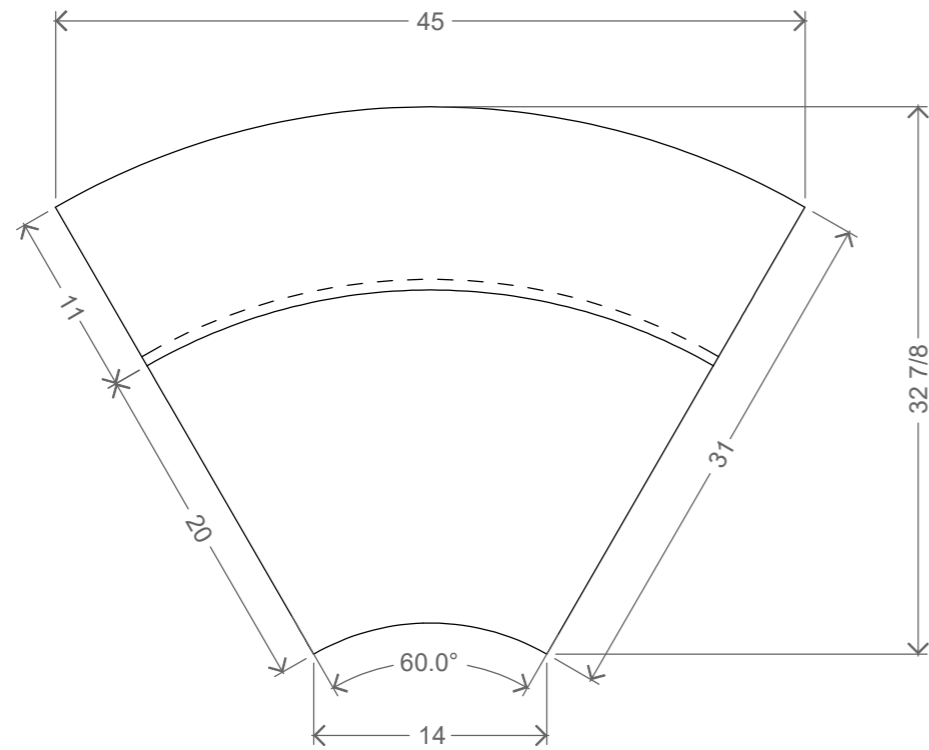
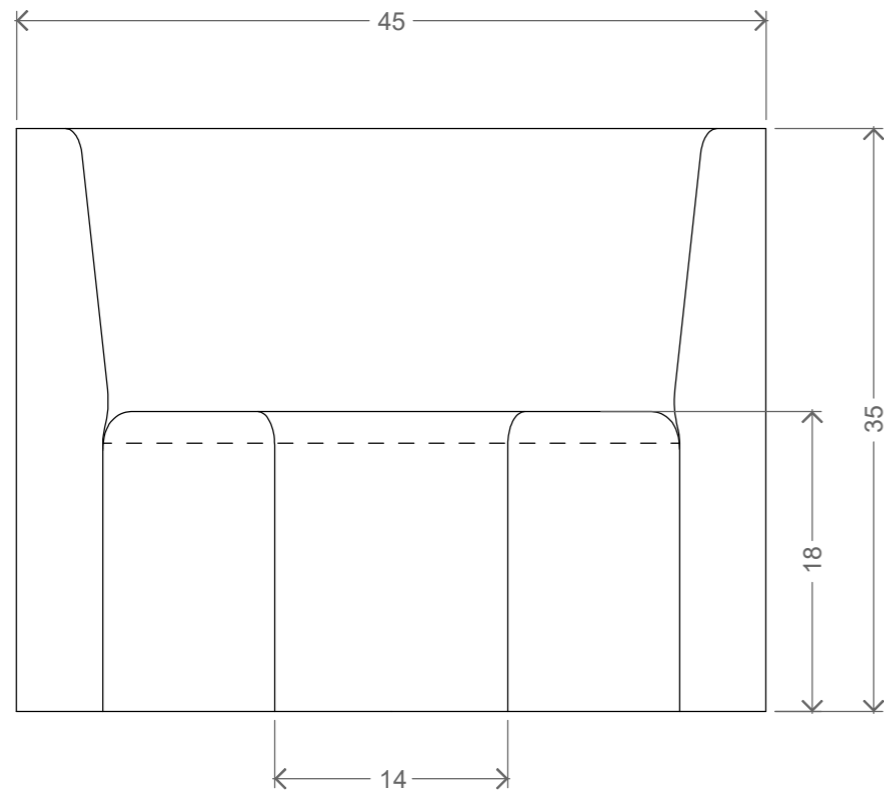


# Curved Armless 60° x 45"

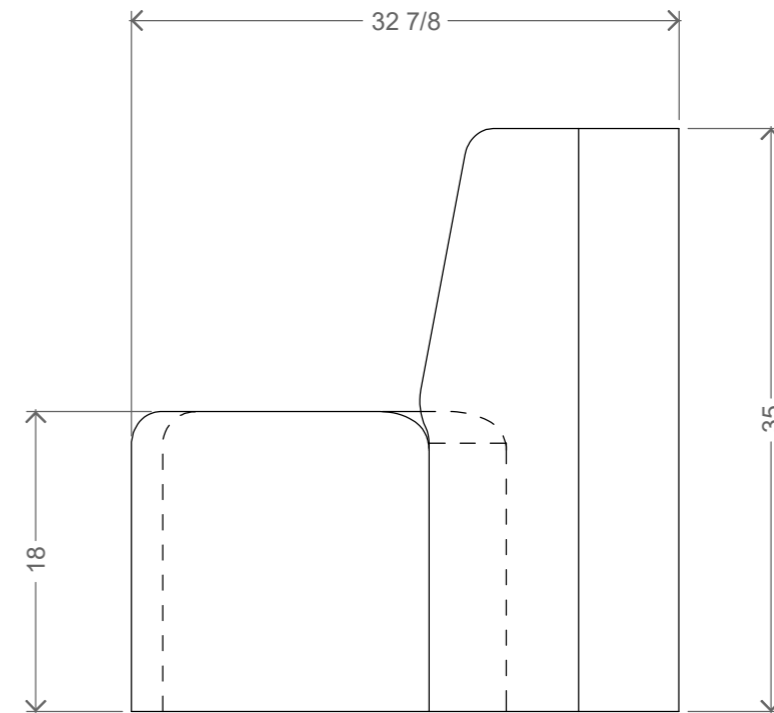
TOP VIEW



FRONT VIEW



SIDE VIEW



Project	Part	Subject	Material	Unit	Date
FoamFurniture	CA 60"x45	TOP	PU Foam	inches	20180620
Design	Draw		Client		
@Ind. D. Michel Lugo Tamayo			Z Supply		