

CREATE YOUR COMBO SPIN COMBO

Product No. F055



DETAILS

CONSTRUCTION

- Reinforced seams and stitching
- Made in USA
- Backed with a lifetime warranty
- Solid foam construction
- MDF baseboard to fit foot options

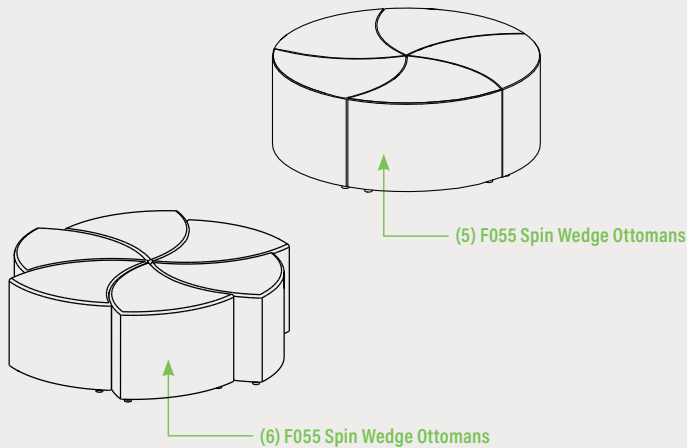
MODIFICATION

- Seat height
- Textile and placement
- Leg and foot options
- Colored stitching
- Embroidery

WEATHER RESISTANT
See series page for more details. »



COMBO BREAKDOWN



Fōmcore
SERVE. CREATE. INSPIRE.

HOW TO SPECIFY A SPIN COMBO

STEP 1: SEAT HEIGHT

DIMENSION (LxW)	SEAT HEIGHT
	12"
	14"
	16"
	18"

STEP 2: FOOT

1" STANDARD FOOT OPTIONS



Nylon Glide (G1)



Felt Glide (G1)



1" Low Profile Leg (L1)
Black

*Reference the product breakdown on back for availability.

STEP 3: GRADE AND TEXTILE

GRADES & SWATCHES



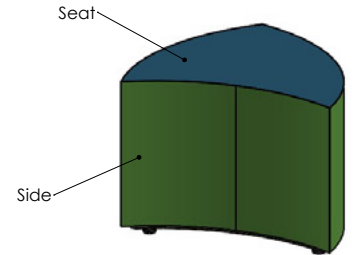
[CLICK TO VIEW »](#)

FABRIC DIRECTION & COLOR GUIDE



[CLICK TO VIEW »](#)

COLOR GUIDE



*Thread will default to match the seat textile.

STEP 4: ACCESSORIES (OPTIONAL)

EMBROIDERY

- Personalize your furniture with embroidery!
- We can embroider logos up to 12" x 15".

EMBROIDERY SPECS

[CLICK TO VIEW »](#)



PASSES

CAL TB-133

*Reference the product breakdown on back for availability.



STEP 5: CONFIGURE PART NUMBER

FILL IN YOUR PART NUMBER

F	0	5	5	-	x	x	x	x	-						
FAMILY					STEP 1				STEP 2						
L				W				H				FOOT			

EXAMPLE PART NUMBER

F	0	5	5	-	2	4	x	2	3	x	1	2	-	G	1					
FAMILY					L				W				H				FOOT			

STEP 6: CONFIGURE DESCRIPTION

FILL IN YOUR DESCRIPTION

1. SEAT

1. Seat					
LOCATION	GRADE	MANUFACTURER	PATTERN	COLOR	

2. SIDE

2. Side					
LOCATION	GRADE	MANUFACTURER	PATTERN	COLOR	

FOOT

NAME/COLOR

EMBROIDERY*

LOCATION	NAME
----------	------

STEP 3

EXAMPLE DESCRIPTION

1. SEAT

1. Seat	1	Spradling	Silvertex	Sage
LOCATION	GRADE	MANUFACTURER	PATTERN	COLOR

2. SIDE

2. Side	3	Momentum	Tribeca	Fossil
LOCATION	GRADE	MANUFACTURER	PATTERN	COLOR

FOOT

1" Nylon Glide
NAME/COLOR

EMBROIDERY*

Seat	Rocket Logo
LOCATION	NAME

*Optional add-ons. Reference product breakdown for availability.

INCLUDE ON PURCHASE ORDER

REPEAT STEP 5 & 6 FOR EACH PRODUCT NUMBER.

EXAMPLE CONFIGURATION

F055-24x23x12-G1

1. Seat: Grade 1, Spradling, Silvertex, Sage | 2. Side: Grade 3, Momentum, Tribeca, Fossil

Foot: 1" Nylon Glide | Embroidery: Seat, Rocket logo

PRODUCT BREAKDOWN

SPIN COMBO

Product No.	Dimen./Weight (L x W x H)	FOOT OPTIONS										INTEGRATED POWER OPTION						TFL	Emb.					
		Zip Z	Standard		3 rd Premium		6 th Premium						Standard		3 rd Premium		6 th Premium							
			G1	L1	R3	C3	S16	S29	C6	T6	R6	M6	G1	L1	R3	C3	S16			S29	C6	T6	R6	M6
Spin Ottoman F055-24x23x12	24" x 23" x 12" 10 lbs.	-	✓	✓	-	-	-	-	-	-	-	-	-	-	-	-	-	-	-	-	-	-	-	✓
Spin Ottoman F055-24x23x14	24" x 23" x 14" 10 lbs.	-	✓	✓	-	-	-	-	-	-	-	-	-	-	-	-	-	-	-	-	-	-	-	✓
Spin Ottoman F055-24x23x16	24" x 23" x 16" 11 lbs.	-	✓	✓	-	-	-	-	-	-	-	-	-	-	-	-	-	-	-	-	-	-	-	✓
Spin Ottoman F055-24x23x18	24" x 23" x 18" 12 lbs.	-	✓	✓	-	-	-	-	-	-	-	-	-	-	-	-	-	-	-	-	-	-	-	✓



ADDITIONAL
RESOURCES



CLICK TO VIEW »