

WEATHER RESISTANT SERIES

WEATHER RESISTANT SPIN WEDGE OTTOMAN

Product No. FW055

Soft, durable, quick drying, lightweight, and weather resistant is what you can expect from Fōmcore's new outdoor-friendly furniture. Produced using marine grade nylon thread and Bayside vinyl with UV and fade resistant protection, you can enjoy the same Fōmcore quality and craftsmanship backed with a 3-year warranty.



DETAILS

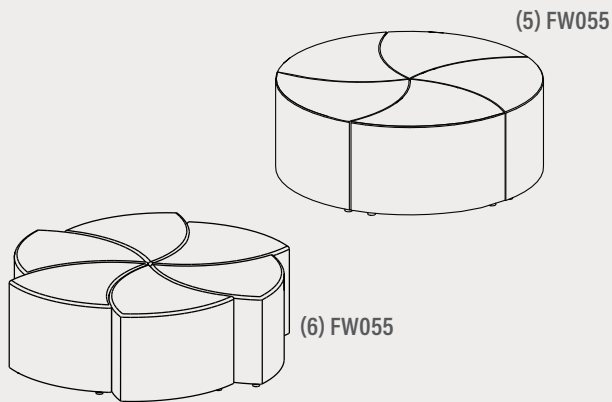
CONSTRUCTION

- Solid foam construction
- Reinforced seams and stitching
- Marine grade Bayside textile
- Exterior wood base
- Made in USA
- Backed with a 3-year warranty

MODIFICATION


- Seat height
- Stitching color
- Bayside textile color

QUICK COMBOS



HOW TO SPECIFY FW055

STEP 1: SEAT HEIGHT

DIMENSION (L x W)	HEIGHT
 24" x 23"	12"
	14"
	16"
	18"

STEP 2: FOOT

1" STANDARD FOOT OPTION



STEP 3: GRADE AND TEXTILE

WEATHER RESISTANT PRODUCTS ONLY AVAILABLE IN BAYSIDE:



BAYSIDE VINYL



[CLICK TO VIEW »](#)

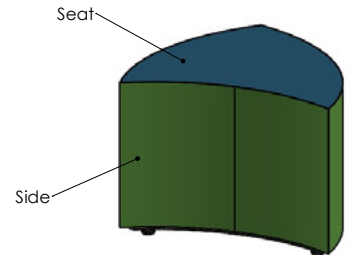
FABRIC DIRECTION & COLOR GUIDE



[CLICK TO VIEW »](#)

*Thread will default to match the seat textile.

COLOR GUIDE



STEP 4: CONFIGURE PART NUMBER

FILL IN YOUR PART NUMBER

F	0	5	5	-		x		x		-	L	1
FAMILY					STEP 1				FOOT		STEP 2	

EXAMPLE PART NUMBER

F	0	5	5	-	2	4	x	2	3	x	1	2	-	L	1	
FAMILY					L				W				H		FOOT	

STEP 5: CONFIGURE DESCRIPTION

FILL IN YOUR DESCRIPTION

1. SEAT

1. Seat	1	Morbern	Bayside	
LOCATION	GRADE	MANUFACTURER	PATTERN	COLOR

2. SIDE

2. Side	1	Morbern	Bayside	
LOCATION	GRADE	MANUFACTURER	PATTERN	COLOR

FOOT

1" Low Profile Leg - Black
NAME/COLOR

STEP 3

EXAMPLE DESCRIPTION

1. SEAT

1. Seat	1	Morbern	Bayside	Apple
LOCATION	GRADE	MANUFACTURER	PATTERN	COLOR

2. SIDE

2. Side	1	Morbern	Bayside	Navy
LOCATION	GRADE	MANUFACTURER	PATTERN	COLOR

FOOT

1" Low Profile Leg - Black
NAME/COLOR

INCLUDE ON PURCHASE ORDER

EXAMPLE CONFIGURATION

FW055-24x23x12-L1

1. Seat: Grade 1, Morbern, Bayside, Apple | 2. Side: Grade 1, Morbern, Bayside, Navy

Foot: 1" Low Profile Leg Black

PRODUCT BREAKDOWN

SPIN WEDGE OTTOMAN (FW055)

Product No.	Dimen./Weight (L x W x H)	FOOT OPTIONS											INTEGRATED POWER OPTIONS										TFL	Emb.	
		Zip	Standard			3" Premium		6" Premium				Standard		3" Premium		6" Premium									
		Z	G1	L1	R3	C3	S16	S29	C6	T6	R6	M6	G1	L1	R3	C3	S16	S29	C6	T6	R6	M6			
FW055-24x23x12	24" x 23" x 12" 10 lbs.	-	-	✓	-	-	-	-	-	-	-	-	-	-	-	-	-	-	-	-	-	-	-	-	-
FW055-24x23x14	24" x 23" x 14" 10 lbs.	-	-	✓	-	-	-	-	-	-	-	-	-	-	-	-	-	-	-	-	-	-	-	-	-
FW055-24x23x16	24" x 23" x 16" 11 lbs.	-	-	✓	-	-	-	-	-	-	-	-	-	-	-	-	-	-	-	-	-	-	-	-	-
FW055-24x23x18	24" x 23" x 18" 11 lbs.	-	-	✓	-	-	-	-	-	-	-	-	-	-	-	-	-	-	-	-	-	-	-	-	-



1770 E. Keating Ave - Muskegon, MI 49442 • Tel: 231.366.4791 • www.fomcore.com

ADDITIONAL RESOURCES



[CLICK TO VIEW >](#)