

LOTUS SERIES | SENSORY AND SAFE

FōM DESK

Product No. FK033

Looking for a desk to keep students alert, safe and accommodate appropriate movement? The Fōm Desk is the answer to create space for focused learning. Paired with a Fōm Chair, the fully zippered, solid foam construction continues the theme of mobility and provides a soft touch and safe environment for the learner.



DETAILS

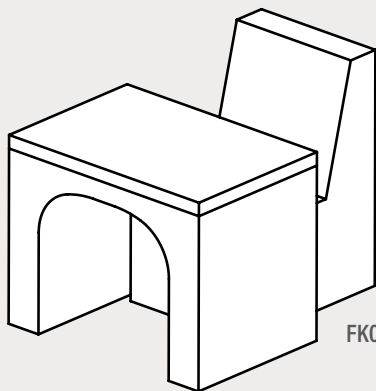
CONSTRUCTION

- Solid foam construction
- Reinforced seams and stitching
- Fully zippered (no wood base)
- Made in USA
- Backed with a lifetime warranty

MODIFICATION

- Textile & placement
- Colored stitching and zipper
- Embroidery

QUICK COMBOS

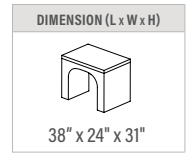
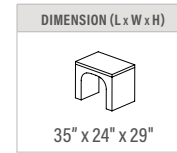
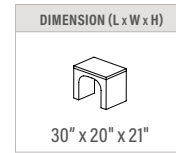


FK020, FK033

Fōmcore
SERVE. CREATE. INSPIRE.

HOW TO SPECIFY FK033

STEP 1: HEIGHT



STEP 2: FULLY ZIPPERED

FULLY ZIPPERED



Fully Zippered (Z)

**Reference the product breakdown on back for availability.*

STEP 3: GRADE AND TEXTILE

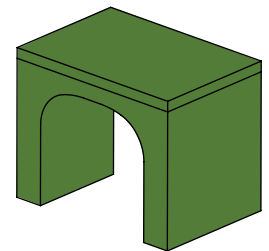
GRADES & SWATCHES



[CLICK TO VIEW »](#)

**Thread will default to match the seat textile.*

ONE COLOR STANDARD



STEP 4: ACCESSORIES (OPTIONAL)

EMBROIDERY

- Personalize your furniture with embroidery!
- We can embroider logos up to 12" x 15".

EMBROIDERY SPECS

[CLICK TO VIEW »](#)



CAL TB-133

- Optional flame retardant add on.

**Reference the product breakdown on back for availability.*

STEP 5: CONFIGURE PART NUMBER

FILL IN YOUR PART NUMBER

| | | | | | | | | | | | | | | | | | |
|--------|---|---|---|---|---|--------|---|---|---|---|---|--------|---|---|---|--|--|
| F | K | 0 | 3 | 3 | - | 3 | 5 | x | 2 | 4 | x | 2 | 9 | - | Z | | |
| FAMILY | | | | | | STEP 1 | | | | | | STEP 2 | | | | | |
| L | | | | | | W | | | H | | | ZIP | | | | | |

EXAMPLE PART NUMBER

| | | | | | | | | | | | | | | | | | |
|--------|---|---|---|---|---|--------|---|---|---|---|---|--------|---|---|---|--|--|
| F | K | 0 | 3 | 3 | - | 3 | 5 | x | 2 | 4 | x | 2 | 9 | - | Z | | |
| FAMILY | | | | | | STEP 1 | | | | | | STEP 2 | | | | | |
| L | | | | | | W | | | H | | | ZIP | | | | | |

STEP 6: CONFIGURE DESCRIPTION

FILL IN YOUR DESCRIPTION

1. CENTER

| | | | | |
|-----------|-------|--------------|---------|-------|
| 1. Center | | | | |
| LOCATION | GRADE | MANUFACTURER | PATTERN | COLOR |

2. SIDE

| | | | | |
|----------|-------|--------------|---------|-------|
| 2. Side | | | | |
| LOCATION | GRADE | MANUFACTURER | PATTERN | COLOR |

STEP 3

EMBROIDERY*

| | |
|----------|------|
| LOCATION | NAME |
|----------|------|

FLAME RETARDANT*

| |
|--|
| |
|--|

EXAMPLE DESCRIPTION

1. CENTER

| | | | | |
|-----------|-------|--------------|-----------|-------|
| 1. Center | 1 | Spradling | Silvertex | Sage |
| LOCATION | GRADE | MANUFACTURER | PATTERN | COLOR |

2. SIDE

| | | | | |
|----------|-------|--------------|---------|--------|
| 2. Side | 3 | Momentum | Tribeca | Fossil |
| LOCATION | GRADE | MANUFACTURER | PATTERN | COLOR |

EMBROIDERY*

| | |
|----------|-------------|
| Seat | Rocket Logo |
| LOCATION | NAME |

FLAME RETARDANT*

| |
|------------|
| CAL TB-133 |
|------------|

*Optional add-ons. Reference product breakdown for availability.

INCLUDE ON PURCHASE ORDER

EXAMPLE CONFIGURATION

FK033-35x24x29-Z

1. Center: Grade 1, Spradling, Silvertex, Sage | 2. Side: Grade 3, Momentum, Tribeca, Fossil

Embroidery: Seat, Rocket logo | CAL TB-133

PRODUCT BREAKDOWN

FÖM DESK & CHAIR

| Description/ Product No. | Dimen./Weight (L x W x H) | Zip Z | FOOT OPTIONS | | | | | | | | | | | | INTEGRATED POWER OPTIONS | | | | | | TFL | Emb. | | |
|--------------------------------|---|----------|--------------|----|------------|----|------------|-----|----|----|----------|----|------------|----|--------------------------|----|-----|-----|----|----|-----|------|----|----|
| | | | Standard | | 3" Premium | | 6" Premium | | | | Standard | | 3" Premium | | 6" Premium | | | | | | | | | |
| | | | G1 | L1 | R3 | C3 | S16 | S29 | C6 | T6 | R6 | M6 | G1 | L1 | R3 | C3 | S16 | S29 | C6 | T6 | | | R6 | M6 |
| Föm Desk FK033-30x20x21 | 30" x 20" x 21" 8 lbs. | ✓ | - | - | - | - | - | - | - | - | - | - | - | - | - | - | - | - | - | - | - | - | - | ✓ |
| Föm Chair FK020-16x18x23.25 | 16" x 18" x 23.25" 8 lbs. (10" Seat Height) | ✓ | - | - | - | - | - | - | - | - | - | - | - | - | - | - | - | - | - | - | - | - | - | ✓ |
| Föm Desk FK033-35x24x29 | 35" x 24" x 29" 13 lbs. | ✓ | - | - | - | - | - | - | - | - | - | - | - | - | - | - | - | - | - | - | - | - | - | ✓ |
| Föm Chair FK020-21x26.5x35 | 21" x 26.5" x 35" 9 lbs. (16" Seat Height) | ✓ | - | - | - | - | - | - | - | - | - | - | - | - | - | - | - | - | - | - | - | - | - | ✓ |
| Föm Desk FK033-38x24x31 | 38" x 24" x 31" 14 lbs. | ✓ | - | - | - | - | - | - | - | - | - | - | - | - | - | - | - | - | - | - | - | - | - | ✓ |
| Föm Chair FK020-24x30x39.5 | 24" x 30" x 39.5" 10 lbs. (18" Seat Height) | ✓ | - | - | - | - | - | - | - | - | - | - | - | - | - | - | - | - | - | - | - | - | - | ✓ |

Fömcöre
SERVE. CREATE. INSPIRE.

1770 E. Keating Ave - Muskegon, MI 49442 • Tel: 231.366.4791 • www.fomcore.com

ADDITIONAL
RESOURCES



CLICK TO VIEW »