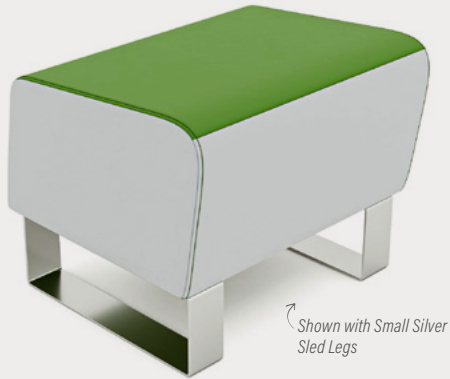


ARMLESS SERIES

LINEAR REFRESH OTTOMAN

Product No. F142

With its sophisticated sleek look, smooth edges and lightweight structure, mix and match the Linear Fresh Refresh Ottoman with multiple pieces of the Refresh Series. The curved edges makes it comfortable for a foot rest. The Refresh Series is great for offices, meeting and collaboration spaces.



DETAILS

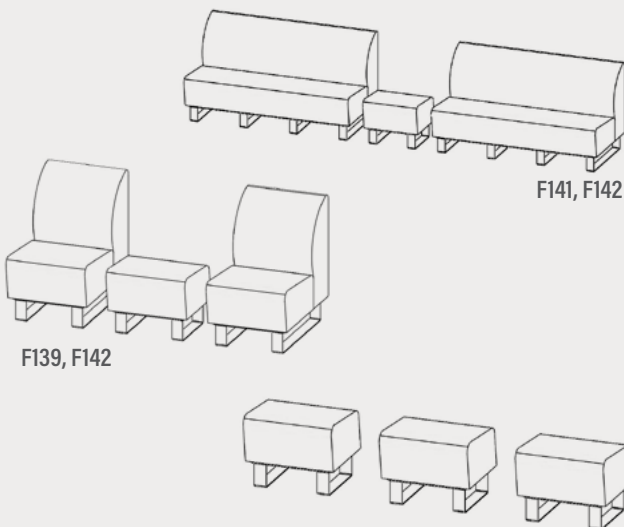
CONSTRUCTION

- Solid foam construction
- MDF baseboard to fit foot options
- Reinforced seams and stitching
- Made in USA
- Backed with a lifetime warranty

MODIFICATION

- Seat height
- Textile and placement
- Leg, caster, and foot options
- Colored stitching and zipper
- Embroidery

QUICK COMBOS



HOW TO SPECIFY F142

STEP 1: SEAT HEIGHT

DIMENSION (L x W)	HEIGHT
	16"
	18"

STEP 2: FOOT

1" STANDARD FOOT OPTIONS

- Nylon Glide (G1)
- Felt Glide (G1)
- 1" Low Profile Leg (L1)
Black

3" PREMIUM FOOT OPTIONS

- 3" Rectangle (R3)
Black
- 3" Rectangle (R3)
Silver
- 3" Caster (C3)

6" PREMIUM FOOT OPTIONS

- Small Sled Leg (S16)
Silver
- Small Sled Leg (S16)
Black
- 6" Mod Leg (M6)
- 6" Rectangle (R6)
Black
- 6" Rectangle (R6)
Silver
- 6" Triangle (T6)
Black
- 6" Triangle (T6)
Silver
- 6" Caster (C6)

*Reference the product breakdown on back for availability.

STEP 3: GRADE AND TEXTILE

GRADES & SWATCHES



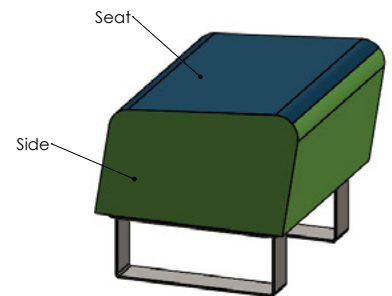
[CLICK TO VIEW »](#)

FABRIC DIRECTION & COLOR GUIDE



[CLICK TO VIEW »](#)

COLOR GUIDE



STEP 4: ACCESSORIES (OPTIONAL)

EMBROIDERY

- Personalize your furniture with embroidery!
- We can embroider logos up to 12" x 15".

EMBROIDERY SPECS

[CLICK TO VIEW »](#)



CAL TB-133

- Optional flame retardant add on.

*Reference the product breakdown on back for availability.

STEP 5: CONFIGURE PART NUMBER

FILL IN YOUR PART NUMBER

F	1	4	2	-		x			x			-			
FAMILY					L	W	H		FOOT						
STEP 1										STEP 2					

EXAMPLE PART NUMBER

F	1	4	2	-	2	2	x	1	9	2	x	1	6	-	R	6
FAMILY					L	W	H	FOOT								

STEP 6: CONFIGURE DESCRIPTION

FILL IN YOUR DESCRIPTION

1. SEAT

1. Seat					
LOCATION	GRADE	MANUFACTURER	PATTERN	COLOR	

2. SIDE

2. Side					
LOCATION	GRADE	MANUFACTURER	PATTERN	COLOR	

FOOT

NAME/COLOR

EMBROIDERY*

LOCATION	NAME
STEP 4* (OPTIONAL)	

STEP 3

EXAMPLE DESCRIPTION

1. SEAT

1. Seat	1	Spradling	Silvertex	Sage
LOCATION	GRADE	MANUFACTURER	PATTERN	COLOR

2. SIDE

2. Side	3	Momentum	Tribeca	Fossil
LOCATION	GRADE	MANUFACTURER	PATTERN	COLOR

FOOT

6" Rectangle Leg - Black
NAME/COLOR

EMBROIDERY*

Seat	Rocket Logo
LOCATION	NAME

*Optional add-ons. Reference product breakdown for availability.

INCLUDE ON PURCHASE ORDER

EXAMPLE CONFIGURATION

F142-22x19.2x16-R6

1. Seat: Grade 1, Spradling, Silvertex, Sage | 2. Side: Grade 3, Momentum, Tribeca, Fossil

Foot: 6" Rectangle Leg Black | Embroidery: Seat, Rocket logo

PRODUCT BREAKDOWN

LINEAR REFRESH OTTOMAN (F142)

Product No.	Dimen./Weight (L x W x H)	FOOT OPTIONS											INTEGRATED POWER OPTION										TFL	Emb.	
		Zip	Standard			3" Premium		6" Premium						Standard		3" Premium		6" Premium							
		Z	G1	L1	R3	C3	S16	S29	C6	T6	R6	M6	G1	L1	R3	C3	S16	S29	C6	T6	R6	M6			
F142-22x19.2x16	22" x 19.2" x 16" 18 lbs.	-	✓	✓	✓	✓	✓	-	✓	✓	✓	✓	-	-	-	-	-	-	-	-	-	-	-	-	✓
F142-22x19.5x18	22" x 19.5" x 18" 19 lbs.	-	✓	✓	✓	✓	✓	-	✓	✓	✓	✓	-	-	-	-	-	-	-	-	-	-	-	-	✓

Fōmcore
SERVE. CREATE. INSPIRE.

1770 E. Keating Ave - Muskegon, MI 49442 • Tel: 231.366.4791 • www.fomcore.com

ADDITIONAL
RESOURCES



CLICK TO VIEW >