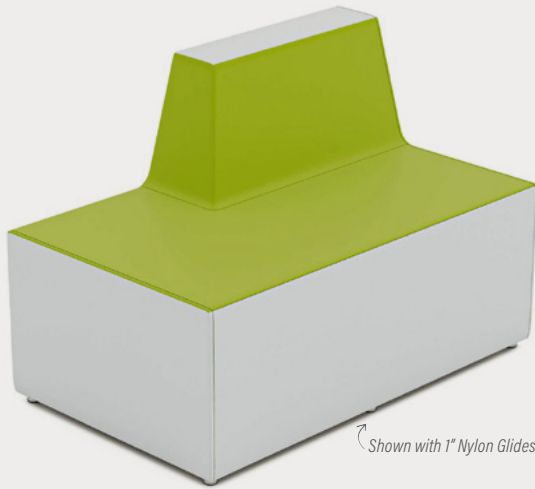


CONNECT SERIES

CONNECT LOW BACK SOFA RIGHT HAND

Product No. F136

Create. Collaborate. Connect. The shape and style of the Connect Low Back Sofa Right Hand is a great conversational piece and comfortable to chill on. The Low Back Sofa Right Hand has the same seat height as the rest of the Connect Series.



DETAILS

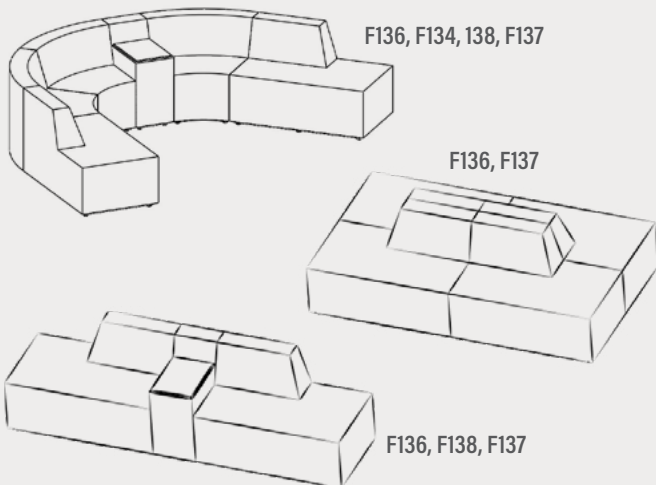
CONSTRUCTION

- Solid foam construction
- MDF baseboard to fit foot options
- Reinforced seams and stitching
- Made in USA
- Backed with a lifetime warranty

MODIFICATION

- Seat height
- Textile and placement
- Leg, caster, and foot options
- Colored stitching and zipper
- Embroidery

QUICK COMBOS



HOW TO SPECIFY F136

STEP 1: SEAT HEIGHT

DIMENSION (L x W x H)	SEAT HEIGHT
48" x 28" x 31"	18"

STEP 2: FOOT

1" STANDARD FOOT OPTIONS

- Nylon Glide (G1)
- Felt Glide (G1)
- 1" Low Profile Leg (L1) Black

3" PREMIUM FOOT OPTIONS

- 3" Rectangle (R3) Black
- 3" Rectangle (R3) Silver
- 3" Caster (C3)

6" PREMIUM FOOT OPTIONS

- 6" Mod Leg (M6)
- 6" Rectangle (R6) Black
- 6" Rectangle (R6) Silver
- 6" Triangle (T6) Black
- 6" Triangle (T6) Silver
- 6" Caster (C6)

*Reference the product breakdown on back for availability.

STEP 3: GRADE AND TEXTILE

GRADES & SWATCHES



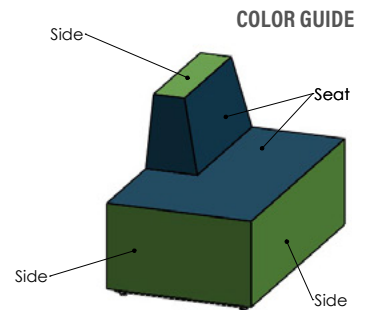
[CLICK TO VIEW »](#)

FABRIC DIRECTION & COLOR GUIDE



[CLICK TO VIEW »](#)

*Thread will default to match the seat textile.



STEP 4: ACCESSORIES (OPTIONAL)

EMBROIDERY

- Personalize your furniture with embroidery!
- We can embroider logos up to 12" x 15".

CAL TB-133

- Optional flame retardant add on.

EMBROIDERY SPECS

[CLICK TO VIEW »](#)



*Reference the product breakdown on back for availability.

INCLUDE ON PURCHASE ORDER

STEP 5: CONFIGURE PART NUMBER

FILL IN YOUR PART NUMBER

F	1	3	6	-	4	8	x	2	8	x	3	1	-				
FAMILY					STEP 1								STEP 2				
L					W				H				FOOT				

EXAMPLE PART NUMBER

F	1	3	6	-	4	8	x	2	8	x	3	1	-	R	6	
FAMILY					STEP 1								STEP 2			
L					W				H				FOOT			

STEP 6: CONFIGURE DESCRIPTION

FILL IN YOUR DESCRIPTION

1. SEAT

1. Seat					
LOCATION	GRADE	MANUFACTURER	PATTERN	COLOR	

2. SIDE

2. Side					
LOCATION	GRADE	MANUFACTURER	PATTERN	COLOR	

FOOT

NAME/COLOR

EMBROIDERY*

LOCATION	NAME
STEP 4* (OPTIONAL)	

STEP 3

EXAMPLE DESCRIPTION

1. SEAT

1. Seat	1	Spradling	Silvertex	Sage
LOCATION	GRADE	MANUFACTURER	PATTERN	COLOR

2. SIDE

2. Side	3	Momentum	Tribeca	Fossil
LOCATION	GRADE	MANUFACTURER	PATTERN	COLOR

FOOT

6" Rectangle Leg - Black	Seat	Rocket Logo
NAME/COLOR	LOCATION	NAME

*Optional add-ons. Reference product breakdown for availability.

EXAMPLE CONFIGURATION

F136-48x28x31-R6

1. Seat: Grade 1, Spradling, Silvertex, Sage | 2. Side: Grade 3, Momentum, Tribeca, Fossil

Foot: 6" Rectangle Leg Black | Embroidery: Seat, Rocket logo

PRODUCT BREAKDOWN

CONNECT LOW BACK SOFA RIGHT HAND (F136)

Product No.	Dimen./Weight (L x W x H)	FOOT OPTIONS										INTEGRATED POWER OPTION						TFL	Emb.						
		Zip		Standard		3" Premium		6" Premium				Standard		3" Premium		6" Premium									
		Z	GI	LI	R3	C3	S16	S29	C6	T6	R6	M6	GI	LI	R3	C3	S16			S29	C6	T6	R6	M6	
F136-48x28x31	48" x 28" x 31" 48 lbs. (18" Seat Height)	-	✓	✓	✓	✓	-	-	✓	✓	✓	✓	-	-	-	-	-	-	-	-	-	-	-	-	✓



1770 E. Keating Ave - Muskegon, MI 49442 • Tel: 231.366.4791 • www.fomcore.com

ADDITIONAL RESOURCES



CLICK TO VIEW »