

CONNECT SERIES

CONNECT LOW BACK CURVED CHAIR

Product No. F134

Create. Collaborate. Connect. The Connect Low Back Curved Chair has elegant curves to help shape any arrangement you have in mind. The Low Back Curved Chair has the same seat height as the rest of the Connect Series.



DETAILS

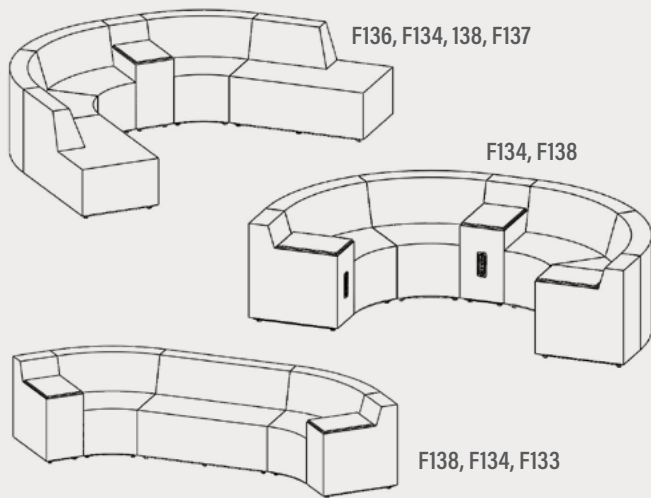
CONSTRUCTION

- Solid foam construction
- MDF baseboard to fit foot options
- Reinforced seams and stitching
- Made in USA
- Backed with a lifetime warranty

MODIFICATION

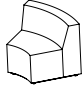
- Seat height
- Textile and placement
- Leg, caster, and foot options
- Colored stitching and zipper
- Embroidery

QUICK COMBOS



HOW TO SPECIFY F134

STEP 1: SEAT HEIGHT

DIMENSION (L x W x H)	SEAT HEIGHT
 40" x 28" x 31"	18"

STEP 2: FOOT

1" STANDARD FOOT OPTIONS

-  Nylon Glide (G1)
-  Felt Glide (G1)
- 1" Low Profile Leg (L1) Black

3" PREMIUM FOOT OPTIONS

- 3" Rectangle (R3) Black
- 3" Rectangle (R3) Silver
- 3" Caster (C3)

6" PREMIUM FOOT OPTIONS

- 6" Mod Leg (M6)
- 6" Rectangle (R6) Black
- 6" Rectangle (R6) Silver
- 6" Triangle (T6) Black
- 6" Triangle (T6) Silver
- 6" Caster (C6)

*Reference the product breakdown on back for availability.

STEP 3: GRADE AND TEXTILE

GRADES & SWATCHES



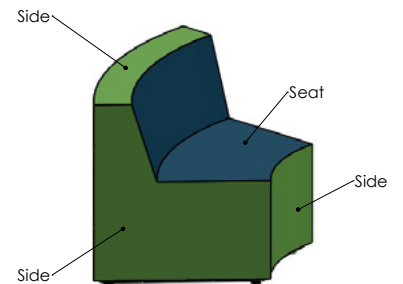
[CLICK TO VIEW »](#)

FABRIC DIRECTION & COLOR GUIDE



[CLICK TO VIEW »](#)

COLOR GUIDE



*Thread will default to match the seat textile.

STEP 4: ACCESSORIES (OPTIONAL)

EMBROIDERY

- Personalize your furniture with embroidery!
- We can embroider logos up to 12" x 15".

EMBROIDERY SPECS

[CLICK TO VIEW »](#)



CAL TB-133

- Optional flame retardant add on.

*Reference the product breakdown on back for availability.

INCLUDE ON PURCHASE ORDER

STEP 5: CONFIGURE PART NUMBER

FILL IN YOUR PART NUMBER

F	1	3	4	-	4	0	x	2	8	x	3	1	-			
FAMILY					STEP 1								STEP 2			
L					W				H				FOOT			

EXAMPLE PART NUMBER

F	1	3	4	-	4	0	x	2	8	x	3	1	-	R	6
FAMILY					STEP 1								STEP 2		
L					W				H				FOOT		

STEP 6: CONFIGURE DESCRIPTION

FILL IN YOUR DESCRIPTION

1. SEAT

1. Seat				
LOCATION	GRADE	MANUFACTURER	PATTERN	COLOR

2. SIDE

2. Side				
LOCATION	GRADE	MANUFACTURER	PATTERN	COLOR

FOOT

NAME/COLOR

EMBROIDERY*

LOCATION	NAME
STEP 4* (OPTIONAL)	

STEP 3

EXAMPLE DESCRIPTION

1. SEAT

1. Seat	1	Spradling	Silvertex	Sage
LOCATION	GRADE	MANUFACTURER	PATTERN	COLOR

2. SIDE

2. Side	3	Momentum	Tribeca	Fossil
LOCATION	GRADE	MANUFACTURER	PATTERN	COLOR

FOOT

6" Rectangle Leg - Black
NAME/COLOR

EMBROIDERY*

Seat	Rocket Logo
LOCATION	NAME

*Optional add-ons. Reference product breakdown for availability.

EXAMPLE CONFIGURATION

F134-40x28x31-R6

1. Seat: Grade 1, Spradling, Silvertex, Sage | 2. Side: Grade 3, Momentum, Tribeca, Fossil

Foot: 6" Rectangle Leg Black | Embroidery: Seat, Rocket logo

PRODUCT BREAKDOWN

CONNECT LOW BACK CURVED CHAIR (F134)

Product No.	Dimen./Weight (L x W x H)	FOOT OPTIONS											INTEGRATED POWER OPTION								TFL	Emb.			
		Zip	Standard			3" Premium		6" Premium					Standard		3" Premium		6" Premium								
		Z	G1	L1	R3	C3	S16	S29	C6	T6	R6	M6	G1	L1	R3	C3	S16	S29	C6	T6			R6	M6	
F134-40x28x31	40" x 28" x 31" 30 lbs. (18" Seat Height)	-	✓	✓	✓	✓	-	-	✓	✓	✓	✓	-	-	-	-	-	-	-	-	-	-	-	-	✓



1770 E. Keating Ave - Muskegon, MI 49442 • Tel: 231.366.4791 • www.fomcore.com

ADDITIONAL RESOURCES



CLICK TO VIEW »