

# CONNECT SERIES CONNECT LOW BACK SOFA

Product No. F133

Create. Collaborate. Connect. The Connect Low Back Sofa has a simple design allowing for various arrangements with the rest of the series. The Low Back Sofa has the same seat height of the rest of the Connect Series.



Shown with 1" Nylon Glides

## DETAILS

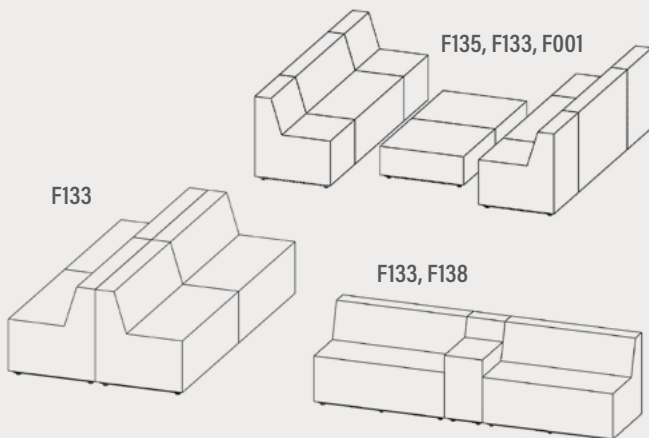
### CONSTRUCTION

- Solid foam construction
- MDF baseboard to fit foot options
- Reinforced seams and stitching
- Made in USA
- Backed with a lifetime warranty

### MODIFICATION

- Seat height
- Textile and placement
- Leg, caster, and foot options
- Colored stitching and zipper
- Embroidery
- Power

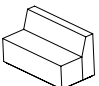
## QUICK COMBOS



**Fōmcore**  
SERVE. CREATE. INSPIRE.

# HOW TO SPECIFY F133

## STEP 1: SEAT HEIGHT

DIMENSION (L x W x H)	SEAT HEIGHT
 48" x 28" x 31"	18"

## STEP 2: FOOT







### 1" STANDARD FOOT OPTIONS

-  Nylon Glide (G1)
-  Felt Glide (G1)
-  1" Low Profile Leg (L1) Black

### 3" PREMIUM FOOT OPTIONS

-  3" Rectangle (R3) Black
-  3" Rectangle (R3) Silver
-  3" Caster (C3)

### 6" PREMIUM FOOT OPTIONS

-  6" Mod Leg (M6)
-  6" Rectangle (R6) Black
-  6" Rectangle (R6) Silver
-  6" Triangle (T6) Black
-  6" Triangle (T6) Silver
-  6" Caster (C6)

\*Reference the product breakdown on back for availability.

## STEP 3: GRADE AND TEXTILE

### GRADES & SWATCHES



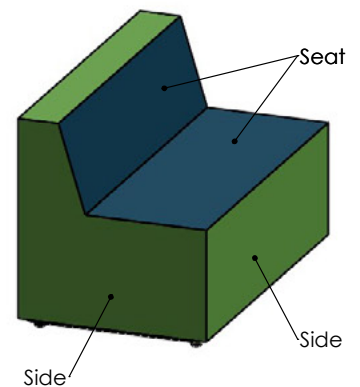
[CLICK TO VIEW »](#)

### FABRIC DIRECTION & COLOR GUIDE



[CLICK TO VIEW »](#)

### COLOR GUIDE



\*Thread will default to match the seat textile.

## STEP 4: ACCESSORIES (OPTIONAL)

### INTEGRATED POWER OPTIONS\* (PI, PI+)

-  White
-  Silver

PI = 1 Power Unit  
PI+ = 2 Power Units

### EMBROIDERY

- Personalize your furniture with embroidery!
- We can embroider logos up to 12" x 15".

### EMBROIDERY SPECS

[CLICK TO VIEW »](#)



### CAL TB-133

- Optional flame retardant add on.

\*Reference the product breakdown on back for availability.

## STEP 5: CONFIGURE PART NUMBER

### FILL IN YOUR PART NUMBER

F	1	3	3	-	4	8	x	2	8	x	3	1	-				-					
FAMILY					L				W				H				FOOT			POWER		
STEP 1												STEP 2			STEP 4* (OPTIONAL)							

### EXAMPLE PART NUMBER

F	1	3	3	-	4	8	x	2	8	x	3	1	-	R	6	-	P	1		
FAMILY					L				W				H				FOOT		POWER	

## STEP 6: CONFIGURE DESCRIPTION

### FILL IN YOUR DESCRIPTION

#### 1. SEAT

1. Seat				
LOCATION	GRADE	MANUFACTURER	PATTERN	COLOR

#### 2. SIDE

2. Side				
LOCATION	GRADE	MANUFACTURER	PATTERN	COLOR

#### FOOT

NAME/COLOR
------------

#### POWER\*

COLOR	QUANTITY
-------	----------

#### EMBROIDERY\*

LOCATION	NAME
----------	------

STEP 3

### EXAMPLE DESCRIPTION

#### 1. SEAT

1. Seat	1	Spradling	Silvertex	Sage
LOCATION	GRADE	MANUFACTURER	PATTERN	COLOR

#### 2. SIDE

2. Side	3	Momentum	Tribeca	Fossil
LOCATION	GRADE	MANUFACTURER	PATTERN	COLOR

#### FOOT

6" Rectangle Leg - Black	White	1
NAME/COLOR	COLOR	QUANTITY

#### EMBROIDERY\*

Seat	Rocket Logo
LOCATION	NAME

\*Optional add-ons. Reference product breakdown for availability.

INCLUDE ON PURCHASE ORDER

## EXAMPLE CONFIGURATION

F133-48x28x31-R6-P1

1. Seat: Grade 1, Spradling, Silvertex, Sage | 2. Side: Grade 3, Momentum, Tribeca, Fossil

Foot: 6" Rectangle Leg Black | Power: White, Quantity: 1 | Embroidery: Seat, Rocket logo

## PRODUCT BREAKDOWN

### CONNECT LOW BACK SOFA (F133)

Product No.	Dimen./Weight (L x W x H)	FOOT OPTIONS										INTEGRATED POWER OPTION						TFL	Emb.				
		Zip Z	Standard		3" Premium		6" Premium						Standard		3" Premium		6" Premium						
			G1	L1	R3	C3	S16	S29	C6	T6	R6	M6	G1	L1	R3	C3	S16			S29	C6	T6	R6
F133-48x28x31	48" x 28" x 31" 53 lbs. (18" Seat Height)	-	✓	✓	✓	✓	-	-	✓	✓	✓	✓	✓	✓	✓	-	-	✓	✓	✓	✓	-	✓

**Fōmcore**  
SERVE. CREATE. INSPIRE.

1770 E. Keating Ave - Muskegon, MI 49442 • Tel: 231.366.4791 • [www.fomcore.com](http://www.fomcore.com)

ADDITIONAL  
RESOURCES



CLICK TO VIEW »