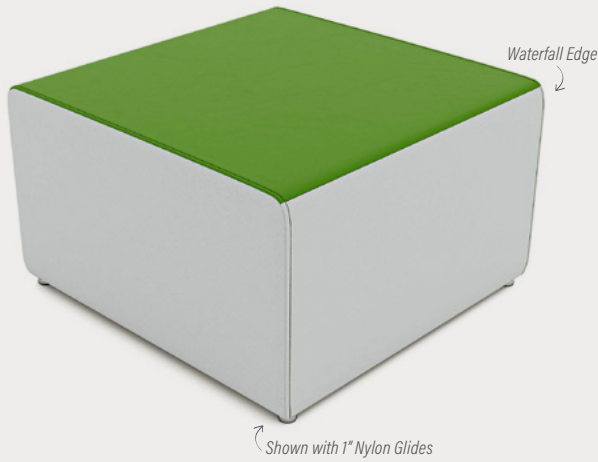


ARMLESS SERIES

LINEAR CORNER OTTOMAN

Product No. F107

Our Linear Corner Ottoman offers durability, style and utility. The elegant waterfall edge adds a unique look to finish your arrangement. The Corner Ottoman is an easy addition to any of the pieces in the Armless Series.



DETAILS

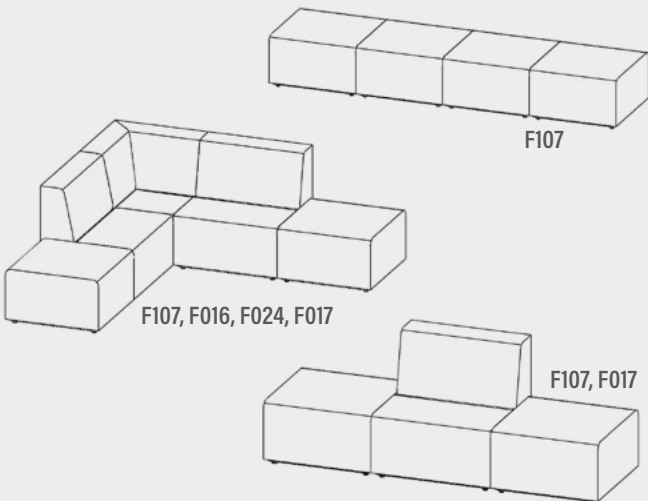
CONSTRUCTION

- Solid foam construction
- MDF baseboard to fit foot options
- Reinforced seams and stitching
- Made in USA
- Backed with a lifetime warranty

MODIFICATION

- Seat height
- Textile and placement
- Leg, caster, and foot options
- Colored stitching and zipper
- Embroidery

QUICK COMBOS



HOW TO SPECIFY F107

STEP 1: SEAT HEIGHT

	DIMENSION (L x W)	HEIGHT
	20" x 20"	12"
	23.5" x 23.5"	14"
	31" x 31"	16"
	31" x 31"	18"

STEP 2: FOOT

1" STANDARD FOOT OPTIONS

- Nylon Glide (G1)
- Felt Glide (G1)
- 1" Low Profile Leg (L1)
Black

3" PREMIUM FOOT OPTIONS

- 3" Rectangle (R3)
Black
- 3" Rectangle (R3)
Silver
- 3" Caster (C3)

6" PREMIUM FOOT OPTIONS

- Large Sled Leg (S29)
Silver
- Large Sled Leg (S29)
Black
- 6" Mod Leg (M6)
- 6" Rectangle (R6)
Black
- 6" Rectangle (R6)
Silver
- 6" Triangle (T6)
Black
- 6" Triangle (T6)
Silver
- 6" Caster (C6)

*Reference the product breakdown on back for availability.

STEP 3: GRADE AND TEXTILE

GRADES & SWATCHES



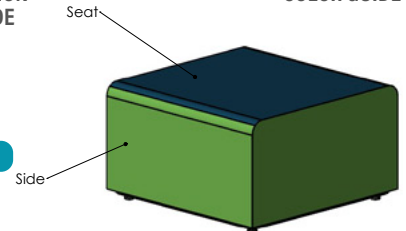
[CLICK TO VIEW »](#)

FABRIC DIRECTION & COLOR GUIDE



[CLICK TO VIEW »](#)

COLOR GUIDE



STEP 4: ACCESSORIES (OPTIONAL)

EMBROIDERY

- Personalize your furniture with embroidery!
- We can embroider logos up to 12" x 15".

EMBROIDERY SPECS

[CLICK TO VIEW »](#)



CAL TB-133

- Optional flame retardant add on.

*Reference the product breakdown on back for availability.

INCLUDE ON PURCHASE ORDER

STEP 5: CONFIGURE PART NUMBER

FILL IN YOUR PART NUMBER

F	1	0	7	-		x		x			-			
FAMILY					L	W	H	FOOT						
STEP 1								STEP 2						

EXAMPLE PART NUMBER

F	1	0	7	-	2	3	5	x	2	3	5	x	1	4	-	R	6
FAMILY					L	W	H	FOOT									

STEP 6: CONFIGURE DESCRIPTION

FILL IN YOUR DESCRIPTION

1. SEAT					STEP 3
1. Seat					
LOCATION	GRADE	MANUFACTURER	PATTERN	COLOR	
2. SIDE					
2. Side					
LOCATION	GRADE	MANUFACTURER	PATTERN	COLOR	
FOOT		EMBROIDERY*			
NAME/COLOR		LOCATION NAME			
STEP 4* (OPTIONAL)					

EXAMPLE DESCRIPTION

1. SEAT				
1. Seat	1	Spradling	Silvertex	Sage
LOCATION	GRADE	MANUFACTURER	PATTERN	COLOR
2. SIDE				
2. Side	3	Momentum	Tribeca	Fossil
LOCATION	GRADE	MANUFACTURER	PATTERN	COLOR
FOOT		EMBROIDERY*		
6" Rectangle Leg - Black		Seat Rocket Logo		
NAME/COLOR		LOCATION NAME		

*Optional add-ons. Reference product breakdown for availability.

EXAMPLE CONFIGURATION

F107-23.5x23.5x14-R6

1. Seat: Grade 1, Spradling, Silvertex, Sage | 2. Side: Grade 3, Momentum, Tribeca, Fossil

Foot: 6" Rectangle Leg Black | Embroidery: Seat, Rocket logo

PRODUCT BREAKDOWN

LINEAR CORNER OTTOMAN (F107)

Product No.	Dimen./Weight (L x W x H)	Zip Z	FOOT OPTIONS										INTEGRATED POWER OPTION						TFL	Emb.					
			Standard		3" Premium		6" Premium						Standard		3" Premium		6" Premium								
			G1	L1	R3	C3	S16	S29	C6	T6	R6	M6	G1	L1	R3	C3	S16	S29			C6	T6	R6	M6	
F107-20x20x12	20" x 20" x 12 10 lbs. (12" Seat Height)	-	✓	✓	✓	✓	-	-	-	-	-	-	-	-	-	-	-	-	-	-	-	-	-	-	✓
F107-23.5x23.5x14	23.5" x 23.5" x 14 15 lbs. (14" Seat Height)	-	✓	✓	✓	✓	-	-	-	✓	✓	✓	-	-	-	-	-	-	-	-	-	-	-	-	✓
F107-31x31x16	31" x 31" x 16" 27 lbs. (16" Seat Height)	-	✓	✓	✓	✓	-	✓	✓	✓	✓	✓	-	-	-	-	-	-	-	-	-	-	-	-	✓
F107-31x31x18	31" x 31" x 18" 29 lbs. (18" Seat Height)	-	✓	✓	✓	✓	-	✓	✓	✓	✓	✓	-	-	-	-	-	-	-	-	-	-	-	-	✓



1770 E. Keating Ave - Muskegon, MI 49442 • Tel: 231.366.4791 • www.fomcore.com

ADDITIONAL RESOURCES



CLICK TO VIEW »