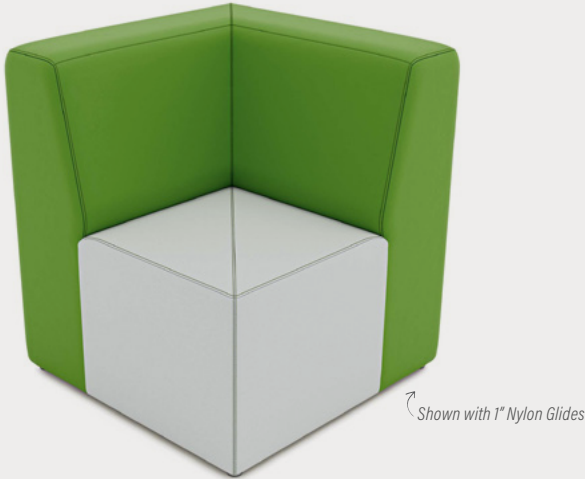


ARMLESS SERIES

# LINEAR CORNER

Product No. F024

The Armless Corner is the perfect way to turn a 90 degree corner with our Armless Series. The Armless Corner shares the same seat height, depth and overall height as the Armless, Chair, Loveseat and Sofa. An alternative approach to turning a corner for the budget conscious, would be our 31"x31" Armless Corner Ottoman, that looks just like this piece without the back. Either way, the result is a corner turned in style with a comfortable solid foam piece of furniture.



## DETAILS

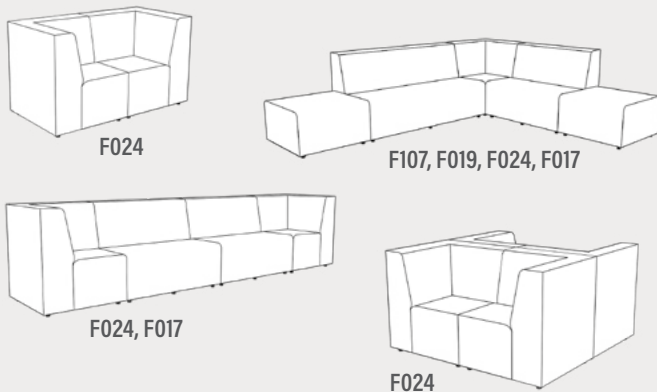
### CONSTRUCTION

- Solid foam construction
- Reinforced seams and stitching
- Made in USA
- Backed with a lifetime warranty
- MDF baseboard to fit foot options
- Waterfall edge

### MODIFICATION

- Seat height
- Textile and placement
- Leg, caster, and foot options
- Colored stitching
- Embroidery

## QUICK COMBOS



# HOW TO SPECIFY F024

## STEP 1: SEAT HEIGHT

DIMENSION (L x W x H)	SEAT HEIGHT
	12"
	14"
	16"
	18"

## STEP 2: FOOT

### 1" STANDARD FOOT OPTIONS

- Nylon Glide (G1)
- Felt Glide (G1)
- 1" Low Profile Leg (L1)  
Black

### 3" PREMIUM FOOT OPTIONS

- 3" Rectangle (R3)  
Black
- 3" Rectangle (R3)  
Silver
- 3" Caster (C3)

### 6" PREMIUM FOOT OPTIONS

- Large Sled Leg (S29)  
Silver
- Large Sled Leg (S29)  
Black
- 6" Mod Leg (M6)
- 6" Rectangle (R6)  
Black
- 6" Rectangle (R6)  
Silver
- 6" Triangle (T6)  
Black
- 6" Triangle (T6)  
Silver
- 6" Caster (C6)

\*Reference the product breakdown on back for availability.

## STEP 3: GRADE AND TEXTILE

### GRADES & SWATCHES



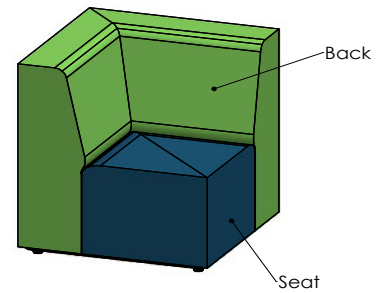
[CLICK TO VIEW »](#)

### FABRIC DIRECTION & COLOR GUIDE



[CLICK TO VIEW »](#)

### COLOR GUIDE



\*Thread will default to match the seat textile.

## STEP 4: ACCESSORIES (OPTIONAL)

### EMBROIDERY

- Personalize your furniture with embroidery!
- We can embroider logos up to 12" x 15".

### EMBROIDERY SPECS

[CLICK TO VIEW »](#)



### CAL TB-133

- Optional flame retardant add on.

\*Reference the product breakdown on back for availability.

## STEP 5: CONFIGURE PART NUMBER

### FILL IN YOUR PART NUMBER

F	0	2	4	-	x	x	x	x	x	x	-			
FAMILY					STEP 1						STEP 2			
L				W		H				FOOT				

### EXAMPLE PART NUMBER

F	0	2	4	-	2	0	x	2	0	x	2	3	-	R	3
FAMILY					L		W				H		FOOT		

## STEP 6: CONFIGURE DESCRIPTION

### FILL IN YOUR DESCRIPTION

#### 1. SEAT

1. Seat					
LOCATION	GRADE	MANUFACTURER	PATTERN	COLOR	

#### 2. BACK

2. Back					
LOCATION	GRADE	MANUFACTURER	PATTERN	COLOR	

#### FOOT

NAME/COLOR

#### EMBROIDERY\*

LOCATION	NAME

#### FLAME RETARDANT\*

--

STEP 3

### EXAMPLE DESCRIPTION

#### 1. SEAT

1. Seat	1	Spradling	Silvertex	Sage
LOCATION	GRADE	MANUFACTURER	PATTERN	COLOR

#### 2. BACK

2. Back	3	Momentum	Tribeca	Fossil
LOCATION	GRADE	MANUFACTURER	PATTERN	COLOR

#### FOOT

3" Rectangle Leg - Black
--------------------------

#### NAME/COLOR

Seat	Rocket Logo
LOCATION	NAME

#### FLAME RETARDANT\*

CAL TB-133
------------

\*Optional add-ons. Reference product breakdown for availability.

INCLUDE ON PURCHASE ORDER

## EXAMPLE CONFIGURATION

F024-20x20x23-R3

1. Seat: Grade 1, Spradling, Silvertex, Sage | 2. Back: Grade 3, Momentum, Tribeca, Fossil

Foot: 3" Rectangle Leg Black | Embroidery: Seat, Rocket logo | CAL TB-133

## PRODUCT BREAKDOWN

### LINEAR CORNER (F024)

Product No.	Dimen./Weight (L x W x H)	FOOT OPTIONS										INTEGRATED POWER OPTION						TFL	Emb.						
		Zip Z	Standard		3" Premium		6" Premium				Standard		3" Premium		6" Premium										
			G1	L1	R3	C3	S16	S29	C6	T6	R6	M6	G1	L1	R3	C3	S16			S29	C6	T6	R6	M6	
F024-20x20x23	20" x 20" x 23" 33 lbs. (12" Seat Height)	-	✓	✓	✓	✓	-	-	-	-	-	-	-	-	-	-	-	-	-	-	-	-	-	-	✓
F024-23.5x23.5x27	23.5" x 23.5" x 27" 34 lbs. (14" Seat Height)	-	✓	✓	✓	✓	-	-	-	✓	✓	✓	-	-	-	-	-	-	-	-	-	-	-	-	✓
F024-31x31x33	31" x 31" x 33" 35 lbs. (16" Seat Height)	-	✓	✓	✓	✓	-	✓	✓	✓	✓	✓	-	-	-	-	-	-	-	-	-	-	-	-	✓
F024-31x31x35	31" x 31" x 35" 36 lbs. (18" Seat Height)	-	✓	✓	✓	✓	-	✓	✓	✓	✓	✓	-	-	-	-	-	-	-	-	-	-	-	-	✓



1770 E. Keating Ave - Muskegon, MI 49442 • Tel: 231.366.4791 • [www.fomcore.com](http://www.fomcore.com)

ADDITIONAL RESOURCES



CLICK TO VIEW »