

ARMLESS SERIES CURVED SOFA

Product No. F020

The shortest distance between 2 points may be a straight line, but the curved pieces in our Armless Series can be a whole lot more fun and useful for creating attractive spaces. Cultivate creativity and engage the senses with endless possibilities of combinations utilizing all our Armless pieces. Combine multiple pieces to form serpentine, as little or as much of a circle as desired, or any other design. The Curved Sofa In turns a corner at 60 degrees and is the same overall width as our Armless Sofa.



DETAILS

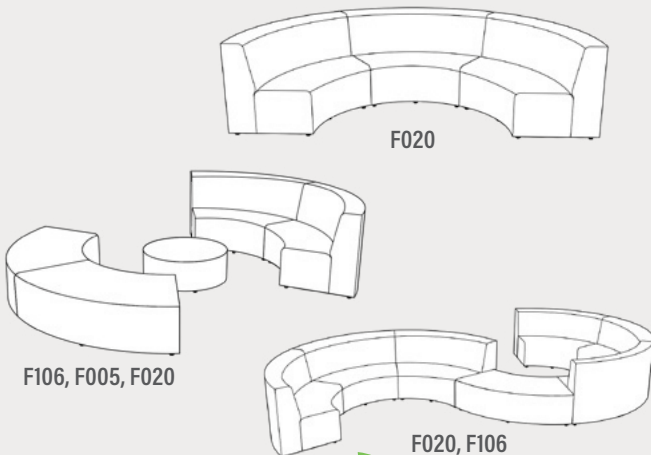
CONSTRUCTION

- Solid foam construction
- Reinforced seams and stitching
- MDF baseboard to fit foot options
- Waterfall edge
- Made in USA
- Backed with a lifetime warranty

MODIFICATION

- Seat height
- Textile and placement
- Leg, caster, and foot options
- Colored stitching
- Embroidery

QUICK COMBOS



Fōmcore
SERVE. CREATE. INSPIRE.

HOW TO SPECIFY F020

STEP 1: SEAT HEIGHT

DIMENSION (L x W x H)	SEAT HEIGHT
<p>67" x 31" x 33"</p>	16"
	18"

STEP 2: FOOT

1" STANDARD FOOT OPTIONS

- Nylon Glide (G1)
- Felt Glide (G1)
- 1" Low Profile Leg (L1) Black

3" PREMIUM FOOT OPTIONS

- 3" Rectangle (R3) Black
- 3" Rectangle (R3) Silver
- 3" Caster (C3)

6" PREMIUM FOOT OPTIONS

- Large Sled Leg (S29) Silver
- Large Sled Leg (S29) Black
- 6" Mod Leg (M6)
- 6" Rectangle (R6) Black
- 6" Rectangle (R6) Silver
- 6" Triangle (T6) Black
- 6" Triangle (T6) Silver
- 6" Caster (C6)

*Reference the product breakdown on back for availability.

STEP 3: GRADE AND TEXTILE

GRADES & SWATCHES



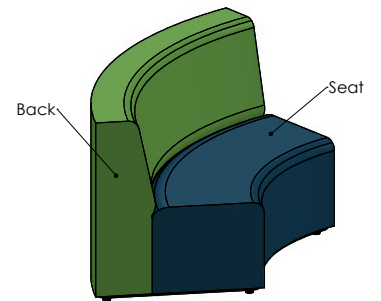
[CLICK TO VIEW »](#)

FABRIC DIRECTION & COLOR GUIDE



[CLICK TO VIEW »](#)

COLOR GUIDE



*Thread will default to match the seat textile.

STEP 4: ACCESSORIES (OPTIONAL)

EMBROIDERY

- Personalize your furniture with embroidery!
- We can embroider logos up to 12" x 15".

EMBROIDERY SPECS

[CLICK TO VIEW »](#)



CAL TB-133

- Optional flame retardant add on.

*Reference the product breakdown on back for availability.

STEP 5: CONFIGURE PART NUMBER

FILL IN YOUR PART NUMBER

F	0	2	0	-	x	x	x	x	-				
FAMILY					STEP 1				STEP 2				
L					W				H				
								FOOT					

EXAMPLE PART NUMBER

F	0	2	0	-	6	7	x	3	1	x	3	3	-	R	6			
FAMILY					L				W				H				FOOT	

STEP 6: CONFIGURE DESCRIPTION

FILL IN YOUR DESCRIPTION

1. SEAT

1. Seat					
LOCATION	GRADE	MANUFACTURER	PATTERN	COLOR	

2. BACK

2. Back					
LOCATION	GRADE	MANUFACTURER	PATTERN	COLOR	

FOOT

6" Rectangle Leg - Black
NAME/COLOR

EMBROIDERY*

Seat	Rocket Logo
LOCATION	NAME

FLAME RETARDANT*

CAL TB-133

STEP 3

EXAMPLE DESCRIPTION

1. SEAT

1. Seat	1	Spradling	Silvertex	Sage
LOCATION	GRADE	MANUFACTURER	PATTERN	COLOR

2. BACK

2. Back	3	Momentum	Tribeca	Fossil
LOCATION	GRADE	MANUFACTURER	PATTERN	COLOR

FOOT

6" Rectangle Leg - Black
NAME/COLOR

EMBROIDERY*

Seat	Rocket Logo
LOCATION	NAME

FLAME RETARDANT*

CAL TB-133

*Optional add-ons. Reference product breakdown for availability.

INCLUDE ON PURCHASE ORDER

EXAMPLE CONFIGURATION

F020-67x31x33-R6

1. Seat: Grade 1, Spradling, Silvertex, Sage | 2. Back: Grade 3, Momentum, Tribeca, Fossil

Foot: 6" Rectangle Leg Black | Embroidery: Seat, Rocket logo | CAL TB 133

PRODUCT BREAKDOWN

CURVED SOFA (F020)

60° Radius

Product No.	Dimen./Weight (L x W x H)	FOOT OPTIONS											INTEGRATED POWER OPTION										TFL	Emb.					
		Zip		Standard		3" Premium		6" Premium					Standard		3" Premium		6" Premium												
		Z	G1	L1	R3	C3	S16	S29	C6	T6	R6	M6	G1	L1	R3	C3	S16	S29	C6	T6	R6	M6							
F020-67x31x33	67" x 31" x 33" 60 lbs. (16" Seat Height)	-	✓	✓	✓	✓	-	✓	✓	✓	✓	✓	-	-	-	-	-	-	-	-	-	-	-	-	-	-	-	-	✓
F020-67x31x35	67" x 31" x 35" 67 lbs. (18" Seat Height)	-	✓	✓	✓	✓	-	✓	✓	✓	✓	✓	-	-	-	-	-	-	-	-	-	-	-	-	-	-	-	✓	

Fōmcore
SERVE. CREATE. INSPIRE.

1770 E. Keating Ave - Muskegon, MI 49442 • Tel: 231.366.4791 • www.fomcore.com

ADDITIONAL
RESOURCES



CLICK TO VIEW »