

ARMLESS SERIES

# LINEAR LOVESEAT

Product No. F017

This cozy armless loveseat is made for comfort and relaxation. With its functional and delightful design, it's an excellent addition to any space. The armless loveseat works great with a combination of ottomans and other wedge shapes. You can create a nice soft reading nook or use as a flexible collaboration space for students.



## DETAILS

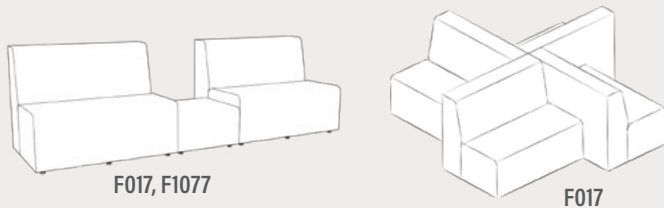
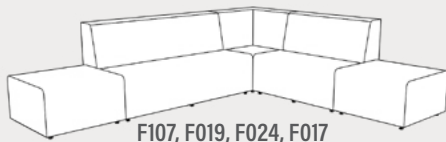
### CONSTRUCTION

- Solid foam construction
- Reinforced seams and stitching
- Made in USA
- Backed with a lifetime warranty
- MDF baseboard to fit foot options
- Waterfall edge

### MODIFICATION

- Seat height
- Textile and placement
- Leg, caster, and foot options
- Colored stitching
- Power
- Embroidery

## QUICK COMBOS



# HOW TO SPECIFY F017

## STEP 1: SEAT HEIGHT

|  | DIMENSION (L x W x H) | SEAT HEIGHT |
|--|-----------------------|-------------|
|  | 28" x 20" x 23"       | 12"         |
|  | 34" x 23.5" x 27"     | 14"         |
|  | 45" x 31" x 33"       | 16"         |
|  | 45" x 31" x 35"       | 18"         |

## STEP 2: FOOT

### 1" STANDARD FOOT OPTIONS

- Nylon Glide (G1)
- Felt Glide (G1)
- 1" Low Profile Leg (L1)  
Black

### 3" PREMIUM FOOT OPTIONS

- 3" Rectangle (R3)  
Black
- 3" Rectangle (R3)  
Silver
- 3" Caster (C3)

### 6" PREMIUM FOOT OPTIONS

- Large Sled Leg (S29)  
Silver
- Large Sled Leg (S29)  
Black
- 6" Mod Leg (M6)
- 6" Rectangle (R6)  
Black
- 6" Rectangle (R6)  
Silver
- 6" Triangle (T6)  
Black
- 6" Triangle (T6)  
Silver
- 6" Caster (C6)

\*Reference the product breakdown on back for availability.

## STEP 3: GRADE AND TEXTILE

### GRADES & SWATCHES



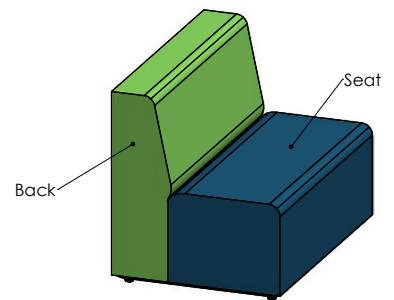
[CLICK TO VIEW »](#)

### FABRIC DIRECTION & COLOR GUIDE



[CLICK TO VIEW »](#)

### COLOR GUIDE



\*Thread will default to match the seat textile.

## STEP 4: ACCESSORIES (OPTIONAL)

### INTEGRATED POWER OPTIONS\* (PI, PI+)

- White
- Silver

PI = 1 Power Unit  
PI+ = 2 Power Units

### EMBROIDERY

- Personalize your furniture with embroidery!
- We can embroider logos up to 12" x 15".

### EMBROIDERY SPECS

[CLICK TO VIEW »](#)



### CAL TB-133

- Optional flame retardant add on.

\*Reference the product breakdown on back for availability.

## STEP 5: CONFIGURE PART NUMBER

### FILL IN YOUR PART NUMBER

|        |   |   |   |   |        |   |   |   |   |        |  |      |                    |  |       |  |
|--------|---|---|---|---|--------|---|---|---|---|--------|--|------|--------------------|--|-------|--|
| F      | 0 | 1 | 7 | - | x      | x | x | x | - |        |  |      | -                  |  |       |  |
| FAMILY |   |   |   |   | STEP 1 |   |   |   |   | STEP 2 |  |      | STEP 4* (OPTIONAL) |  |       |  |
| L      |   |   |   | W |        |   |   | H |   |        |  | FOOT |                    |  | POWER |  |

### EXAMPLE PART NUMBER

|        |   |   |   |   |   |   |   |   |   |   |   |   |   |   |   |   |      |   |       |  |
|--------|---|---|---|---|---|---|---|---|---|---|---|---|---|---|---|---|------|---|-------|--|
| F      | 0 | 1 | 7 | - | 3 | 4 | x | 2 | 3 | 5 | x | 2 | 7 | - | R | 3 | -    | P | I     |  |
| FAMILY |   |   |   |   | L |   |   |   | W |   |   |   | H |   |   |   | FOOT |   | POWER |  |

## STEP 6: CONFIGURE DESCRIPTION

### FILL IN YOUR DESCRIPTION

#### 1. SEAT

|          |       |              |         |       |  |
|----------|-------|--------------|---------|-------|--|
| 1. Seat  |       |              |         |       |  |
| LOCATION | GRADE | MANUFACTURER | PATTERN | COLOR |  |

#### 2. BACK

|          |       |              |         |       |  |
|----------|-------|--------------|---------|-------|--|
| 2. Back  |       |              |         |       |  |
| LOCATION | GRADE | MANUFACTURER | PATTERN | COLOR |  |

#### FOOT

|            |
|------------|
| NAME/COLOR |
|------------|

#### POWER\*

|       |          |
|-------|----------|
| COLOR | QUANTITY |
|-------|----------|

#### EMBROIDERY\*

|          |      |
|----------|------|
| LOCATION | NAME |
|----------|------|

#### FLAME RETARDANT\*

|  |
|--|
|  |
|--|

STEP 3

### EXAMPLE DESCRIPTION

#### 1. SEAT

|          |       |              |           |       |
|----------|-------|--------------|-----------|-------|
| 1. Seat  | 1     | Spradling    | Silvertex | Sage  |
| LOCATION | GRADE | MANUFACTURER | PATTERN   | COLOR |

#### 2. BACK

|          |       |              |         |        |
|----------|-------|--------------|---------|--------|
| 2. Back  | 3     | Momentum     | Tribeca | Fossil |
| LOCATION | GRADE | MANUFACTURER | PATTERN | COLOR  |

#### FOOT

|                          |       |          |
|--------------------------|-------|----------|
| 3" Rectangle Leg - Black | White | 1        |
| NAME/COLOR               | COLOR | QUANTITY |

#### EMBROIDERY\*

|          |             |
|----------|-------------|
| Seat     | Rocket Logo |
| LOCATION | NAME        |

#### FLAME RETARDANT\*

|            |
|------------|
| CAL TB-133 |
|------------|

\*Optional add-ons. Reference product breakdown for availability.

INCLUDE ON PURCHASE ORDER

## EXAMPLE CONFIGURATION

F017-34x23.5x27-R3-PI

1. Seat: Grade 1, Spradling, Silvertex, Sage | 2. Back: Grade 3, Momentum, Tribeca, Fossil

Foot: 3" Rectangle Leg Black | Power: White, Quantity: 1 | Embroidery: Seat, Rocket logo | CAL TB-133

## PRODUCT BREAKDOWN

### LINEAR LOVESEAT (F017)

| Product No.     | Dimen./Weight<br>(L x W x H)                      | FOOT OPTIONS |          |    |            |    |            |     |    |    |          |    | INTEGRATED POWER OPTION |    |            |    |     |     |    |    | TFL | Emb. |    |    |   |
|-----------------|---|--------------|----------|----|------------|----|------------|-----|----|----|----------|----|-------------------------|----|------------|----|-----|-----|----|----|-----|------|----|----|---|
|                 |   | Zip<br>Z     | Standard |    | 3" Premium |    | 6" Premium |     |    |    | Standard |    | 3" Premium              |    | 6" Premium |    |     |     |    |    |     |      |    |    |   |
|                 |   |              | G1       | L1 | R3         | C3 | S16        | S29 | C6 | T6 | R6       | M6 | G1                      | L1 | R3         | C3 | S16 | S29 | C6 | T6 |     |      | R6 | M6 |   |
| F017-28x20x23   | 28" x 20" x 23"<br>16 lbs.<br>(12" Seat Height)   | -            | ✓        | ✓  | ✓          | ✓  | -          | -   | -  | -  | -        | -  | -                       | -  | -          | -  | -   | -   | -  | -  | -   | -    | -  | -  | ✓ |
| F017-34x23.5x27 | 34" x 23.5" x 27"<br>24 lbs.<br>(14" Seat Height) | -            | ✓        | ✓  | ✓          | ✓  | -          | -   | -  | -  | -        | -  | ✓                       | ✓  | ✓          | ✓  | -   | -   | -  | -  | -   | -    | -  | -  | ✓ |
| F017-45x31x33   | 45" x 31" x 33"<br>45 lbs.<br>(16" Seat Height)   | -            | ✓        | ✓  | ✓          | ✓  | -          | ✓   | ✓  | ✓  | ✓        | ✓  | ✓                       | ✓  | ✓          | ✓  | -   | -   | -  | -  | -   | -    | -  | -  | ✓ |
| F017-45x31x35   | 45" x 31" x 35"<br>49 lbs.<br>(18" Seat Height)   | -            | ✓        | ✓  | ✓          | ✓  | -          | ✓   | ✓  | ✓  | ✓        | ✓  | ✓                       | ✓  | ✓          | ✓  | -   | ✓   | ✓  | ✓  | ✓   | ✓    | ✓  | -  | ✓ |



1770 E. Keating Ave - Muskegon, MI 49442 • Tel: 231.366.4791 • [www.fomcore.com](http://www.fomcore.com)

ADDITIONAL RESOURCES



CLICK TO VIEW »