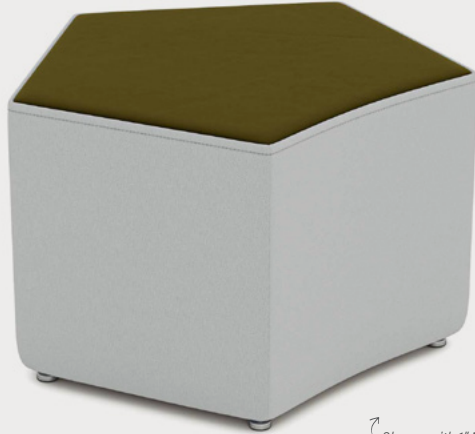


OTTOMAN & BENCH SERIES

PENTAGON OTTOMAN

Product No. F007

Functional meets fun in this unusually shaped ottoman. Its sleek geometric shape makes for a fresh modern look. If you want to make it more unique, you can always use additional ottoman pieces to combine them and create your own style.



Shown with 1" Nylon Glides

DETAILS

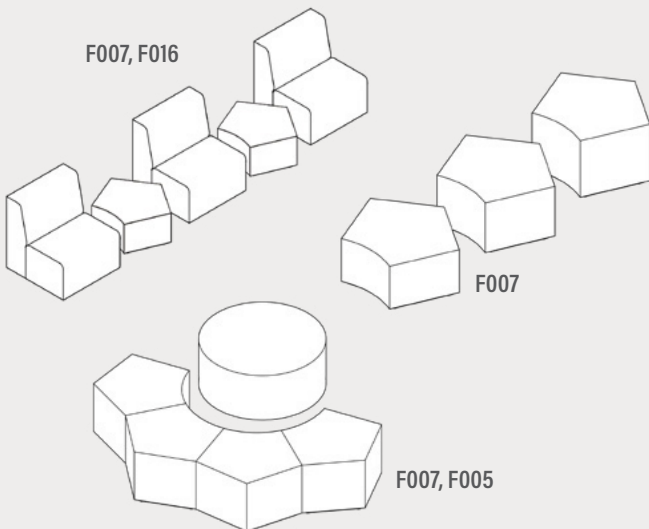
CONSTRUCTION

- Solid foam construction
- MDF baseboard to fit foot options
- Reinforced seams and stitching
- Made in USA
- Backed with a lifetime warranty

MODIFICATION

- Seat height
- Textile and placement
- Leg, caster, and foot options
- Fully zippered (no wood base)
- Colored stitching and zipper
- Embroidery

QUICK COMBOS



HOW TO SPECIFY F007

STEP 1: SEAT HEIGHT

DIMENSION (L x W)	SEAT HEIGHT
<p>30" x 26.5"</p>	12"
	14"
	16"
	18"
	20"

STEP 2: FOOT AND FULLY ZIPPERED

FULLY ZIPPERED



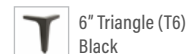
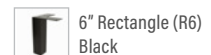
1" STANDARD FOOT OPTIONS



3" PREMIUM FOOT OPTIONS



6" PREMIUM FOOT OPTIONS



**Reference the product breakdown on back for availability.*

STEP 3: GRADE AND TEXTILE

GRADES & SWATCHES



[CLICK TO VIEW »](#)

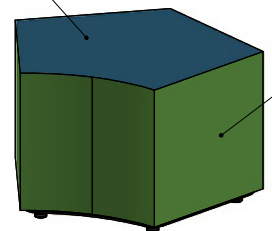
FABRIC DIRECTION & COLOR GUIDE



[CLICK TO VIEW »](#)

Seat

COLOR GUIDE



Side

**Thread will default to match the seat textile.*

STEP 4: ACCESSORIES (OPTIONAL)

EMBROIDERY

- Personalize your furniture with embroidery!
- We can embroider logos up to 12" x 15".

EMBROIDERY SPECS

[CLICK TO VIEW »](#)



CAL TB-133

- Optional flame retardant add on.

**Reference the product breakdown on back for availability.*

STEP 5: CONFIGURE PART NUMBER

FILL IN YOUR PART NUMBER

F	0	0	7	-	x	x	x	x	x	x	-			
FAMILY					STEP 1						FOOT/ZIP			
											STEP 2			

EXAMPLE PART NUMBER

F	0	0	7	-	3	0	x	2	6	.5	x	1	8	-	R	3
FAMILY					STEP 1						FOOT/ZIP					

STEP 6: CONFIGURE DESCRIPTION

FILL IN YOUR DESCRIPTION

1. SEAT

1. Seat					
LOCATION	GRADE	MANUFACTURER	PATTERN	COLOR	

2. SIDE

2. Side					
LOCATION	GRADE	MANUFACTURER	PATTERN	COLOR	

FOOT

NAME/COLOR

FIRE RETARDANCY*

--

EMBROIDERY*

LOCATION	NAME
----------	------

STEP 3

EXAMPLE DESCRIPTION

1. SEAT

1. Seat	1	Spradling	Silvertex	Sage
LOCATION	GRADE	MANUFACTURER	PATTERN	COLOR

2. SIDE

2. Side	3	Momentum	Tribeca	Fossil
LOCATION	GRADE	MANUFACTURER	PATTERN	COLOR

FOOT

3" Rectangle Leg - Black

FIRE RETARDANCY*

CAL TB-133

NAME/COLOR

Seat	Rocket Logo
------	-------------

EMBROIDERY*

Seat	Rocket Logo
------	-------------

LOCATION NAME

*Optional add-ons. Reference product breakdown for availability.

INCLUDE ON PURCHASE ORDER

EXAMPLE CONFIGURATION

F007-30x26.5x18-R3

1. Seat: Grade 1, Spradling, Silvertex, Sage | 2. Side: Grade 3, Momentum, Tribeca, Fossil

Foot: 3" Rectangle Leg Black | Embroidery: Seat, Rocket logo | CAL TB-133

PRODUCT BREAKDOWN

PENTAGON OTTOMAN (F007)

Product No.	Dimen./Weight (L x W x H)	FOOT OPTIONS											INTEGRATED POWER OPTION										TFL	Emb.	
		Zip Z	Standard		3" Premium		S16	S29	6" Premium				Standard		3" Premium		6" Premium								
			G1	L1	R3	C3			C6	T6	R6	M6	G1	L1	R3	C3	S16	S29	C6	T6	R6	M6			
F007-30x26.5x12	30" x 26.5" x 12" 13 lbs.	✓	✓	✓	✓	✓	-	-	✓	✓	✓	✓	-	-	-	-	-	-	-	-	-	-	-	-	✓
F007-30x26.5x14	30" x 26.5" x 14" 14 lbs.	✓	✓	✓	✓	✓	-	-	✓	✓	✓	✓	-	-	-	-	-	-	-	-	-	-	-	-	✓
F007-30x26.5x16	30" x 26.5" x 16" 15 lbs.	✓	✓	✓	✓	✓	-	-	✓	✓	✓	✓	-	-	-	-	-	-	-	-	-	-	-	-	✓
F007-30x26.5x18	30" x 26.5" x 18" 16 lbs.	✓	✓	✓	✓	✓	-	-	✓	✓	✓	✓	-	-	-	-	-	-	-	-	-	-	-	-	✓
F007-30x26.5x20	30" x 26.5" x 20" 17 lbs.	✓	✓	✓	✓	✓	-	-	✓	✓	✓	✓	-	-	-	-	-	-	-	-	-	-	-	-	✓



1770 E. Keating Ave - Muskegon, MI 49442 • Tel: 231.366.4791 • www.fomcore.com

ADDITIONAL RESOURCES



CLICK TO VIEW >