

OTTOMAN & BENCH SERIES ROUND OTTOMAN

Product No. F005

Our Round Ottoman lends a classy but relaxed ambiance to any room or space. It's a perfect accent piece wherever you need to stretch your legs, sit or relax – media centers, classrooms, or really anywhere you want students to relax.



DETAILS

CONSTRUCTION

- Reinforced seams and stitching
- Made in Michigan, USA
- Backed with a lifetime warranty
- Solid foam construction
- MDF baseboard to fit foot options

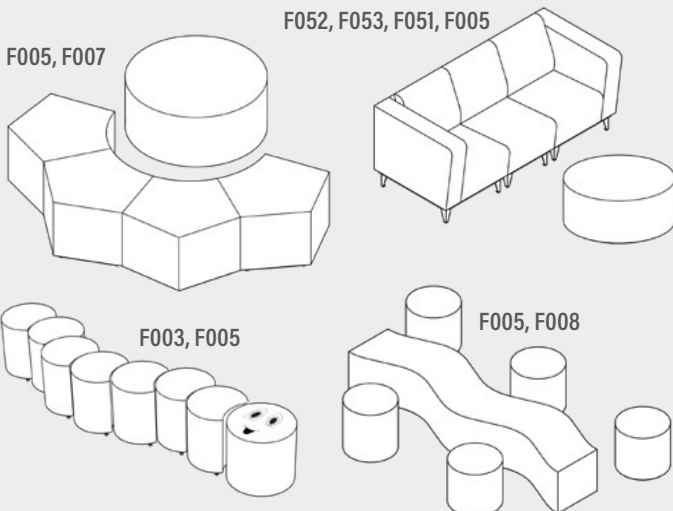
MODIFICATION

- Seat height
- Textile and placement
- Leg, caster, and foot options
- Fully zippered (no wood base)
- Colored stitching and zipper
- TFL work surface
- Power
- Embroidery

WEATHER RESISTANT
See series page for more details. »



QUICK COMBOS



Fōmcore
SERVE. CREATE. INSPIRE.

HOW TO SPECIFY F005

STEP 1: SEAT HEIGHT

DIMENSION (DIA)	SEAT HEIGHT	DIMENSION (DIA)	SEAT HEIGHT	DIMENSION (DIA)	SEAT HEIGHT
18"	12"	30"	12"	36"	12"
	14"		14"		14"
	16"		16"		16"
	18"		18"		18"
	20"				

STEP 2: FOOT AND FULLY ZIPPERED

FULLY ZIPPERED



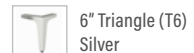
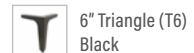
1" STANDARD FOOT OPTIONS



3" PREMIUM FOOT OPTIONS



6" PREMIUM FOOT OPTIONS



*Reference the product breakdown on back for availability.

STEP 3: GRADE AND TEXTILE

GRADES & SWATCHES

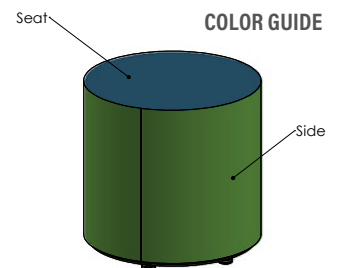


CLICK TO VIEW »

FABRIC DIRECTION & COLOR GUIDE



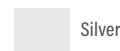
CLICK TO VIEW »



*Thread will default to match the seat textile.

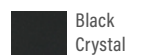
STEP 4: ACCESSORIES (OPTIONAL)

INTEGRATED POWER OPTIONS* (PI, PI+)



PI = 1 Power Unit
PI+ = 2 Power Units

TFL WORKSURFACE (TFL)



EMBROIDERY

- Personalize your furniture with embroidery!
- We can embroider logos up to 12" x 15".

EMBROIDERY SPECS

CLICK TO VIEW »



CAL TB-133

- Optional flame retardant add on.

*Reference the product breakdown on back for availability.

STEP 5: CONFIGURE PART NUMBER

FILL IN YOUR PART NUMBER

F	0	0	5	-		x		-				-				
FAMILY					DIA		H		FOOT/ZIP			TFL	POWER			
					STEP 1				STEP 2				STEP 4* (OPTIONAL)			

EXAMPLE PART NUMBER

F	0	0	5	-	3	0	x	1	8	-	G	1	-	T	F	L	P	I
FAMILY					DIA		H	FOOT/ZIP			TFL	POWER						

STEP 6: CONFIGURE DESCRIPTION

FILL IN YOUR DESCRIPTION

1. SEAT

1. Seat					
LOCATION	GRADE	MANUFACTURER	PATTERN	COLOR	

2. SIDE

2. Side					
LOCATION	GRADE	MANUFACTURER	PATTERN	COLOR	

FOOT

NAME/COLOR					
NAME/COLOR		POWER*		COLOR	
		COLOR		QUANTITY	

TFL WORKSURFACE*

COLOR					
COLOR		EMBROIDERY*		FIRE RETARDANCY*	
		LOCATION		NAME	

EXAMPLE DESCRIPTION

1. SEAT

1. Seat	1	Spradling	Silvertex	Sage
LOCATION	GRADE	MANUFACTURER	PATTERN	COLOR

2. SIDE

2. Side	3	Momentum	Tribeca	Fossil
LOCATION	GRADE	MANUFACTURER	PATTERN	COLOR

FOOT

1" Nylon Glide		White	1
NAME/COLOR		COLOR	QUANTITY

TFL WORKSURFACE*

White Wood	Seat	Rocket Logo
COLOR	LOCATION	NAME

FIRE RETARDANCY*

CAL TB-133

*Optional add-ons. Reference product breakdown for availability.

INCLUDE ON PURCHASE ORDER

EXAMPLE CONFIGURATION

F005-30x18-G1-TFLPI

1. Seat: Grade 1, Spradling, Silvertex, Sage | 2. Side: Grade 3, Momentum, Tribeca, Fossil

Foot: 1" Nylon Glide | Power: White, Quantity: 1 | TFL Worksurface: White Wood | Embroidery: Seat, Rocket logo | CAL TB-133

PRODUCT BREAKDOWN

ROUND OTTOMAN (F005)

Product No.	Dimen./Weight (L x W x H)	FOOT OPTIONS										INTEGRATED POWER OPTION										TFL	Emb.	
		Zip Z	Standard G1	Standard L1	3" Premium R3	3" Premium C3	S16	S29	6" Premium C6	6" Premium T6	6" Premium R6	6" Premium M6	Standard G1	Standard L1	3" Premium R3	3" Premium C3	S16	S29	6" Premium C6	6" Premium T6	6" Premium R6			6" Premium M6
F005-18x12	18" x 12" 7 lbs.	✓	✓	✓	✓	-	-	-	-	✓	✓	-	-	-	-	-	-	-	-	-	-	-	✓	✓
F005-18x14	18" x 14" 8 lbs.	✓	✓	✓	✓	-	-	-	-	✓	✓	-	-	-	-	-	-	-	-	-	-	-	✓	✓
F005-18x16	18" x 16" 9 lbs.	✓	✓	✓	✓	-	-	-	-	✓	✓	-	-	-	-	-	-	-	-	-	-	-	✓	✓
F005-18x18	18" x 18" 10 lbs.	✓	✓	✓	✓	-	-	-	-	✓	✓	-	-	-	-	-	-	-	-	-	-	-	✓	✓
F005-18x20	18" x 20" 11 lbs.	✓	✓	✓	✓	-	-	-	-	✓	✓	-	-	-	-	-	-	-	-	-	-	-	✓	✓
F005-30x12	30" x 12" 18 lbs.	✓	✓	✓	✓	✓	-	✓	✓	✓	✓	-	-	-	-	-	-	-	-	-	-	-	✓	✓
F005-30x14	30" x 14" 19 lbs.	✓	✓	✓	✓	✓	-	✓	✓	✓	✓	-	-	-	-	-	-	-	-	-	-	-	✓	✓
F005-30x16	30" x 16" 20 lbs.	✓	✓	✓	✓	✓	-	✓	✓	✓	✓	-	-	-	-	-	-	-	-	-	-	-	✓	✓
F005-30x18	30" x 18" 22 lbs.	✓	✓	✓	✓	✓	-	✓	✓	✓	✓	✓	✓	-	-	-	-	-	-	-	-	-	✓	✓
F005-36x12	36" x 12" 25 lbs. (20" Seat Height)	✓	✓	✓	✓	✓	-	✓	✓	✓	✓	-	-	-	-	-	-	-	-	-	-	-	✓	✓
F005-36x14	36" x 14" 27 lbs. (20" Seat Height)	✓	✓	✓	✓	✓	-	✓	✓	✓	✓	-	-	-	-	-	-	-	-	-	-	-	✓	✓
F005-36x16	36" x 16" 29 lbs. (20" Seat Height)	✓	✓	✓	✓	✓	-	✓	✓	✓	✓	-	-	-	-	-	-	-	-	-	-	-	✓	✓
F005-36x18	36" x 18" 31 lbs. (20" Seat Height)	✓	✓	✓	✓	✓	-	✓	✓	✓	✓	✓	✓	-	-	-	-	-	-	-	-	-	✓	✓

ADDITIONAL RESOURCES



CLICK TO VIEW »