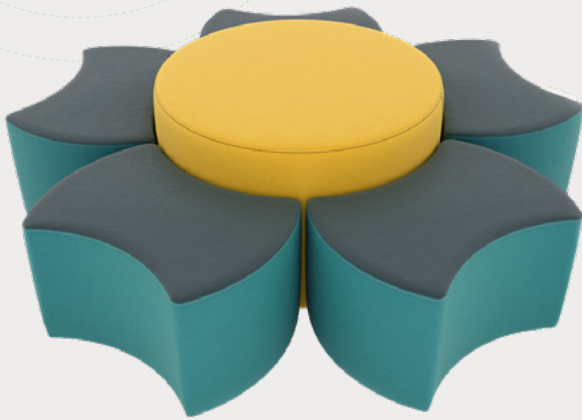


CREATE YOUR COMBO BOWTIE COMBO

Product Numbers F005, F077



DETAILS

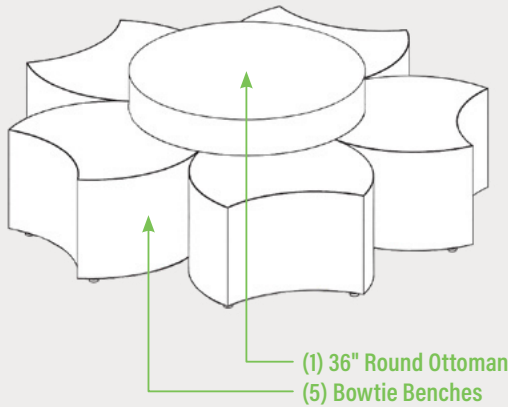
CONSTRUCTION

- Solid foam construction
- MDF baseboard to fit foot options
- Reinforced seams and stitching
- Made in USA
- Backed with a lifetime warranty

MODIFICATION

- Seat height
- Textile and placement
- Leg, caster, and foot options
- Fully zippered (no wood base)
- Colored stitching and zipper
- TFL work surface
- Power
- Embroidery

COMBO BREAKDOWN



HOW TO SPECIFY A BOWTIE COMBO

STEP 1: SEAT HEIGHT

ROUND OTTOMAN		BOWTIE BENCH	
DIMENSION (DIA)	SEAT HEIGHT	DIMENSION (L x W)	SEAT HEIGHT
 36"	18"	 28" x 21"	14"
	24"		18"

STEP 2: FOOT AND FULLY ZIPPERED

FULLY ZIPPERED



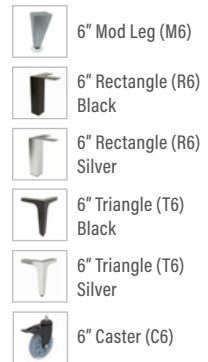
1" STANDARD FOOT OPTIONS



3" PREMIUM FOOT OPTIONS



6" PREMIUM FOOT OPTIONS



*Reference the product breakdown on back for availability.

STEP 3: GRADE AND TEXTILE

GRADES & SWATCHES



[CLICK TO VIEW »](#)

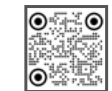
FABRIC DIRECTION & COLOR GUIDES

Round Ottoman



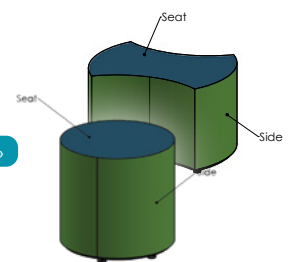
[CLICK TO VIEW »](#)

Bowtie Bench



[CLICK TO VIEW »](#)

COLOR GUIDES



*Thread will default to match the seat textile.

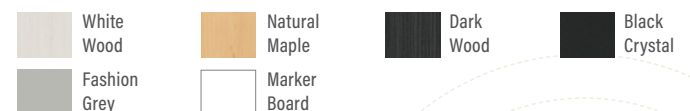
STEP 4: ACCESSORIES (OPTIONAL)

INTEGRATED POWER OPTIONS* (PI, PI+)



PI = 1 Power Unit
PI+ = 2 Power Units

TFL WORKSURFACE (TFL)



EMBROIDERY

- Personalize your furniture with embroidery!
- We can embroider logos up to 12" x 15".

EMBROIDERY SPECS

[CLICK TO VIEW »](#)



CAL TB-133

- Optional flame retardant add on.

*Reference the product breakdown on back for availability.

