

LOTUS SERIES | SENSORY AND SAFE

Fōm DESK

Product No. FK033

Looking for a desk to keep students alert, safe and accommodate appropriate movement? The Fōm Desk is the answer to create space for focused learning. Paired with a Fōm Chair, the fully zippered, solid foam construction continues the theme of mobility and provides a soft touch and safe environment for the learner.



DETAILS

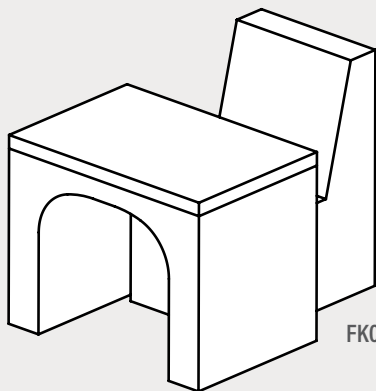
CONSTRUCTION

- Solid foam construction
- Reinforced seams and stitching
- Fully zippered (no wood base)
- Made in USA
- Backed with a lifetime warranty
- No pinch points

MODIFICATION

- Textile & placement
- *Non-skid base available*
- Colored stitching and zipper
- Embroidery

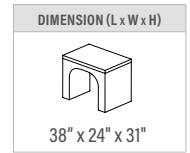
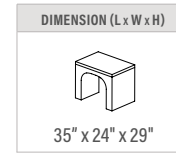
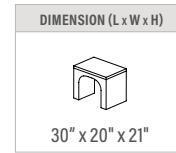
QUICK COMBOS



FK020, FK033

HOW TO SPECIFY FK033

STEP 1: HEIGHT



STEP 2: FULLY ZIPPERED

FULLY ZIPPERED



**Reference the product breakdown on back for availability.*

STEP 3: GRADE AND TEXTILE

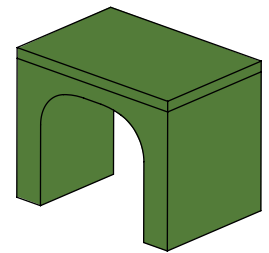
GRADES & SWATCHES



[CLICK TO VIEW »](#)

**Thread will default to match the seat textile.*

ONE COLOR STANDARD



STEP 4: MODIFICATIONS (OPTIONAL)

EMBROIDERY

- Personalize your furniture with embroidery!
- We can embroider up to 12" x 15" artwork

EMBROIDERY SPECS

[CLICK TO VIEW »](#)



FLAME RETARDANT

- CAL TB-133
- Optional flame retardant add on.

**Reference the product breakdown on back for availability.*

BASE

- Non-skid base

STEP 5: CONFIGURE PART NUMBER

FILL IN YOUR PART NUMBER

F	K	0	3	3	-	x	x	x	x	x	-	Z				
FAMILY						STEP 1					STEP 2					
L						W					H			ZIP		

EXAMPLE PART NUMBER

F	K	0	3	3	-	3	5	x	2	4	x	2	9	-	Z				
FAMILY						L					W			H			ZIP		

STEP 6: CONFIGURE DESCRIPTION

FILL IN YOUR DESCRIPTION

					—	STEP 3
GRADE	MANUFACTURER	PATTERN	COLOR			

EMBROIDERY*

LOCATION	NAME
----------	------

FLAME RETARDANT*

--

BASE*

--

EXAMPLE DESCRIPTION

1	Spradling	Silvertex	Sage
GRADE	MANUFACTURER	PATTERN	COLOR

EMBROIDERY*

Seat	Rocket Logo
LOCATION	NAME

FLAME RETARDANT*

CAL TB-133

BASE*

Non-skid base

*Optional add-ons. Reference product breakdown for availability.

INCLUDE ON PURCHASE ORDER

EXAMPLE CONFIGURATION

FK033-35x24x29-Z

1. Center: Grade 1, Spradling, Silvertex, Sage | 2. Side: Grade 3, Momentum, Tribeca, Fossil

Embroidery: Seat, Rocket logo | CAL TB-133 | Non-skid base

PRODUCT BREAKDOWN

FÖM DESK & CHAIR

Description/ Product No.	Dimen./Weight (L x W x H)	FOOT OPTIONS											INTEGRATED POWER OPTIONS						HPL	Emb.					
		Zip Z	Standard		3" Premium		6" Premium					Standard		3" Premium		6" Premium									
			G1	L1	R3	C3	S16	S29	C6	T6	R6	M6	G1	L1	R3	C3	S16	S29			C6	T6	R6	M6	
Föm Desk FK033-30x20x21	30" x 20" x 21" 8 lbs.	✓	-	-	-	-	-	-	-	-	-	-	-	-	-	-	-	-	-	-	-	-	-	-	✓
Föm Chair FK020-16x18x23.25	16" x 18" x 23.25" 8 lbs. (10" Seat Height)	✓	-	-	-	-	-	-	-	-	-	-	-	-	-	-	-	-	-	-	-	-	-	-	✓
Föm Desk FK033-35x24x29	35" x 24" x 29" 13 lbs.	✓	-	-	-	-	-	-	-	-	-	-	-	-	-	-	-	-	-	-	-	-	-	-	✓
Föm Chair FK020-21x26.5x35	21" x 26.5" x 35" 9 lbs. (16" Seat Height)	✓	-	-	-	-	-	-	-	-	-	-	-	-	-	-	-	-	-	-	-	-	-	-	✓
Föm Desk FK033-38x24x31	38" x 24" x 31" 14 lbs.	✓	-	-	-	-	-	-	-	-	-	-	-	-	-	-	-	-	-	-	-	-	-	-	✓
Föm Chair FK020-24x30x39.5	24" x 30" x 39.5" 10 lbs. (18" Seat Height)	✓	-	-	-	-	-	-	-	-	-	-	-	-	-	-	-	-	-	-	-	-	-	-	✓



ADDITIONAL RESOURCES



[CLICK TO VIEW »](#)