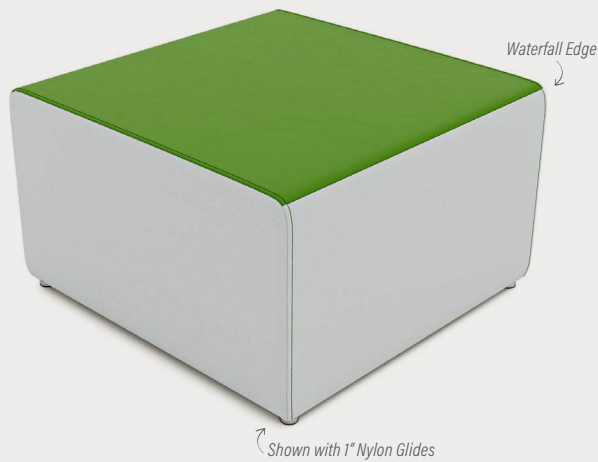


ARMLESS SERIES LINEAR OTTOMAN

Product No. F107

Our Linear Ottoman offers durability, style and utility. The elegant waterfall edge adds a unique look to finish your arrangement. The Linear Ottoman is an easy addition to any of the pieces in the Armless Series.



DETAILS

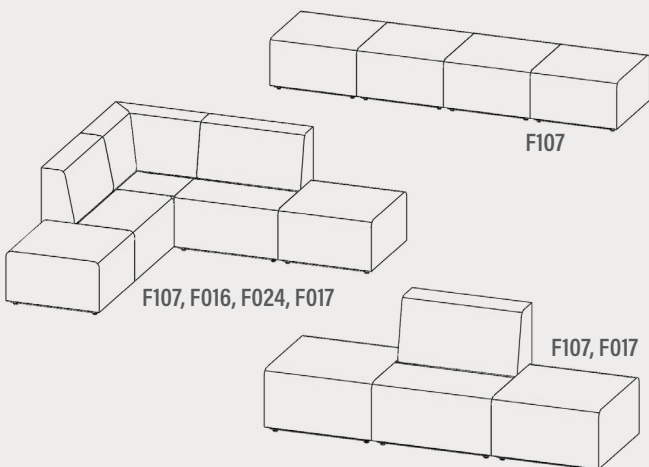
CONSTRUCTION

- Solid foam construction
- Reinforced seams and stitching
- Made in USA
- Backed with a lifetime warranty
- Wood base to fit foot options
- Waterfall edge

MODIFICATION

- Seat height
- Textile and placement
- Foot and finish options
- Stitching color
- Embroidery

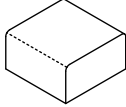
QUICK COMBOS



Fōmcore
SERVE. CREATE. INSPIRE.

HOW TO SPECIFY F107

STEP 1: SEAT HEIGHT

	DIMENSION (L x W)	HEIGHT
	20" x 20"	12"
	23.5" x 23.5"	14"
	31" x 31"	16"
	31" x 31"	18"

STEP 2: FOOT


1" STANDARD FOOT OPTIONS

-  Nylon Glide (G1)
-  Felt Glide (G1)
- 1" Low Profile Leg (L1)
Black

3" PREMIUM FOOT OPTIONS

- 3" Rectangle (R3)
Black
- 3" Rectangle (R3)
Silver
- 3" Caster (C3)

6" PREMIUM FOOT OPTIONS

-  Large Sled Leg (S29)
Silver
-  Large Sled Leg (S29)
Black
- 6" Mod Leg (M6)
- 6" Rectangle (R6)
Black
- 6" Rectangle (R6)
Silver
- 6" Triangle (T6)
Black
- 6" Triangle (T6)
Silver
- 6" Caster (C6)

*Reference the product breakdown on back for availability.

STEP 3: GRADE AND TEXTILE

GRADES & SWATCHES



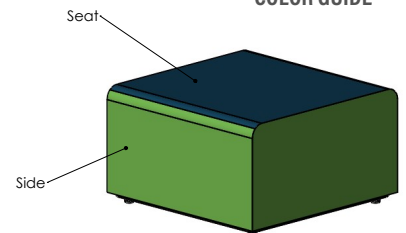
[CLICK TO VIEW »](#)

FABRIC DIRECTION & COLOR GUIDE



[CLICK TO VIEW »](#)

COLOR GUIDE



STEP 4: MODIFICATIONS (OPTIONAL)

EMBROIDERY

- Personalize your furniture with embroidery!
- We can embroider up to 12" x 15" artwork

EMBROIDERY SPECS

[CLICK TO VIEW »](#)



FLAME RETARDANT

- CAL TB-133
- Optional flame retardant add on.

*Reference the product breakdown on back for availability.

INCLUDE ON PURCHASE ORDER

STEP 5: CONFIGURE PART NUMBER

FILL IN YOUR PART NUMBER

F	1	0	7	-		x		x			-			
FAMILY					L	W	H	FOOT						
STEP 1								STEP 2						

EXAMPLE PART NUMBER

F	1	0	7	-	2	3	5	x	2	3	5	x	1	4	-	R	6
FAMILY					L	W	H	FOOT									

STEP 6: CONFIGURE DESCRIPTION

FILL IN YOUR DESCRIPTION

1. SEAT

1. Seat					
LOCATION	GRADE	MANUFACTURER	PATTERN	COLOR	

2. SIDE

2. Side					
LOCATION	GRADE	MANUFACTURER	PATTERN	COLOR	

FOOT

NAME/COLOR

EMBROIDERY*

LOCATION	NAME
----------	------

FIRE RETARDANCY*

--

STEP 3

EXAMPLE DESCRIPTION

1. SEAT

1. Seat	1	Spradling	Silvertex	Sage
LOCATION	GRADE	MANUFACTURER	PATTERN	COLOR

2. SIDE

2. Side	3	Momentum	Tribeca	Fossil
LOCATION	GRADE	MANUFACTURER	PATTERN	COLOR

FOOT

6" Rectangle Leg - Black
NAME/COLOR

EMBROIDERY*

Seat	Rocket Logo
LOCATION	NAME

FIRE RETARDANCY*

CAL TB-133

*Optional add-ons. Reference product breakdown for availability.

EXAMPLE CONFIGURATION

F107-23.5x23.5x14-R6

1. Seat: Grade 1, Spradling, Silvertex, Sage | 2. Side: Grade 3, Momentum, Tribeca, Fossil

Foot: 6" Rectangle Leg Black | Embroidery: Seat, Rocket logo | CAL TB-133

PRODUCT BREAKDOWN

LINEAR OTTOMAN (F107)

Product No.	Dimen./Weight (L x W x H)	Zip Z	FOOT OPTIONS												INTEGRATED POWER OPTION						HPL	Emb.			
			Standard		3" Premium		6" Premium						Standard		3" Premium		6" Premium								
			G1	L1	R3	C3	S16	S29	C6	T6	R6	M6	G1	L1	R3	C3	S16	S29	C6	T6			R6	M6	
F107-20x20x12	20" x 20" x 12 10 lbs.	-	✓	✓	✓	✓	-	-	-	-	-	-	-	-	-	-	-	-	-	-	-	-	-	-	✓
F107-23.5x23.5x14	23.5" x 23.5" x 14 15 lbs.	-	✓	✓	✓	✓	-	-	-	✓	✓	✓	-	-	-	-	-	-	-	-	-	-	-	-	✓
F107-31x31x16	31" x 31" x 16" 27 lbs.	-	✓	✓	✓	✓	-	✓	✓	✓	✓	✓	-	-	-	-	-	-	-	-	-	-	-	-	✓
F107-31x31x18	31" x 31" x 18" 29 lbs.	-	✓	✓	✓	✓	-	✓	✓	✓	✓	✓	-	-	-	-	-	-	-	-	-	-	-	-	✓



ADDITIONAL RESOURCES



CLICK TO VIEW >