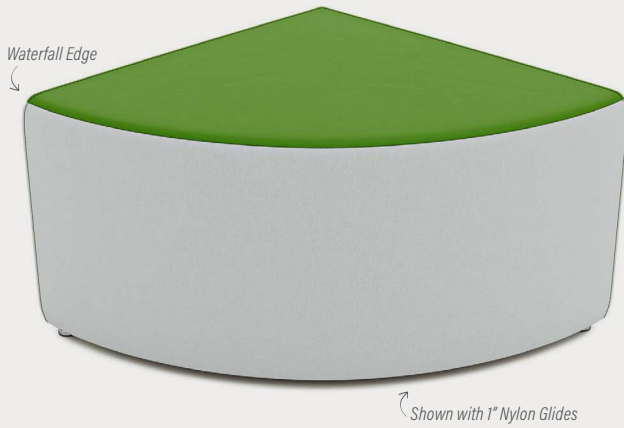


ARMLESS SERIES

LINEAR WEDGE

Product No. F062

Elegant curves and waterfall edge make the Curved Bench both a conversation starter and comfortable seating option. The Curved Bench is an easy addition to any of the pieces in the Armless Series. Use alone or as part of your modern seating arrangement it won't disappoint.



DETAILS

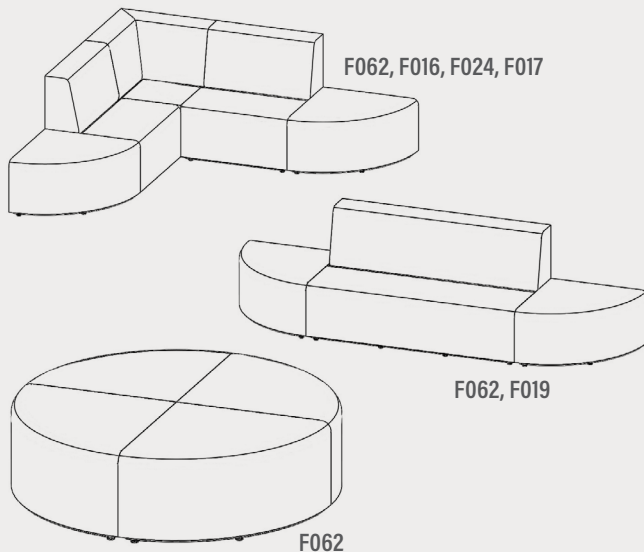
CONSTRUCTION

- Solid foam construction
- Reinforced seams and stitching
- Made in USA
- Backed with a lifetime warranty
- Wood base to fit foot options
- Waterfall edge

MODIFICATION

- Seat height
- Textile and placement
- Foot and finish options
- Stitching color
- Embroidery

QUICK COMBOS



HOW TO SPECIFY F062

STEP 1: SEAT HEIGHT

	DIMENSION (L x W)	HEIGHT
	20" x 20"	12"
	23.5" x 23.5"	14"
	31" x 31"	16"
	31" x 31"	18"

STEP 2: FOOT

1" STANDARD FOOT OPTIONS

- Nylon Glide (G1)
- Felt Glide (G1)
- 1" Low Profile Leg (L1)
Black

3" PREMIUM FOOT OPTIONS

- 3" Rectangle (R3)
Black
- 3" Rectangle (R3)
Silver
- 3" Caster (C3)

6" PREMIUM FOOT OPTIONS

- 6" Mod Leg (M6)
- 6" Rectangle (R6)
Black
- 6" Rectangle (R6)
Silver
- 6" Triangle (T6)
Black
- 6" Triangle (T6)
Silver
- 6" Caster (C6)

**Reference the product breakdown on back for availability.*

STEP 3: GRADE AND TEXTILE

GRADES & SWATCHES



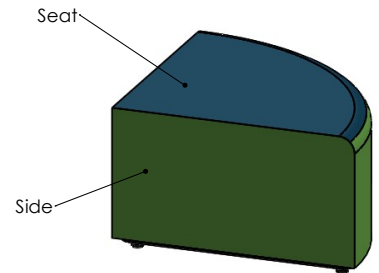
[CLICK TO VIEW »](#)

FABRIC DIRECTION & COLOR GUIDE



[CLICK TO VIEW »](#)

COLOR GUIDE



STEP 4: MODIFICATIONS (OPTIONAL)

EMBROIDERY

- Personalize your furniture with embroidery!
- We can embroider up to 12" x 15" artwork

EMBROIDERY SPECS

[CLICK TO VIEW »](#)



FLAME RETARDANT

- CAL TB-133
- Optional flame retardant add on.

**Reference the product breakdown on back for availability.*

STEP 5: CONFIGURE PART NUMBER

FILL IN YOUR PART NUMBER

F	0	6	2	-	x	x	x	x	x	-						
FAMILY					STEP 1					STEP 2						
L				W					H				FOOT			

EXAMPLE PART NUMBER

F	0	6	2	-	2	3	5	x	2	3	5	x	1	4	-	R	6				
FAMILY					L					W				H				FOOT			

STEP 6: CONFIGURE DESCRIPTION

FILL IN YOUR DESCRIPTION

1. SEAT					STEP 3
1. Seat					
LOCATION	GRADE	MANUFACTURER	PATTERN	COLOR	
2. SIDE					
2. Side					
LOCATION	GRADE	MANUFACTURER	PATTERN	COLOR	
FOOT		EMBROIDERY*			
NAME/COLOR		LOCATION	NAME		
FIRE RETARDANCY*					

EXAMPLE DESCRIPTION

1. SEAT				
1. Seat	1	Spradling	Silvertex	Sage
LOCATION	GRADE	MANUFACTURER	PATTERN	COLOR
2. SIDE				
2. Side	3	Momentum	Tribeca	Fossil
LOCATION	GRADE	MANUFACTURER	PATTERN	COLOR
FOOT		EMBROIDERY*		
6" Rectangle Leg - Black		Seat	Rocket Logo	
NAME/COLOR		LOCATION	NAME	
FIRE RETARDANCY*				
CAL TB-133				

*Optional add-ons. Reference product breakdown for availability.

INCLUDE ON PURCHASE ORDER

EXAMPLE CONFIGURATION

F062-23.5x23.5x14-R6

1. Seat: Grade 1, Spradling, Silvertex, Sage | 2. Side: Grade 3, Momentum, Tribeca, Fossil

Foot: 6" Rectangle Leg Black | Embroidery: Seat, Rocket logo | CAL TB-133

PRODUCT BREAKDOWN

LINEAR WEDGE (F062)

Product No.	Dimen./Weight (L x W x H)	FOOT OPTIONS											INTEGRATED POWER OPTION						HPL	Emb.					
		Zip Z	Standard		3" Premium		6" Premium				Standard		3" Premium		6" Premium										
			G1	L1	R3	C3	S16	S29	C6	T6	R6	M6	G1	L1	R3	C3	S16	S29			C6	T6	R6	M6	
F062-20x20x12	20" x 20" x 12" 8 lbs.	-	✓	✓	✓	✓	-	-	-	-	-	-	-	-	-	-	-	-	-	-	-	-	-	-	✓
F062-23.5x23.5x14	23.5" x 23.5" x 14" 12 lbs.	-	✓	✓	✓	✓	-	-	-	✓	✓	✓	-	-	-	-	-	-	-	-	-	-	-	-	✓
F062-31x31x16	31" x 31" x 16" 21 lbs.	-	✓	✓	✓	✓	-	-	✓	✓	✓	✓	-	-	-	-	-	-	-	-	-	-	-	-	✓
F062-31x31x18	31" x 31" x 18" 22 lbs.	-	✓	✓	✓	✓	-	-	✓	✓	✓	✓	-	-	-	-	-	-	-	-	-	-	-	-	✓



1770 E. Keating Ave - Muskegon, MI 49442 • Tel: 231.366.4791 • www.fomcore.com

ADDITIONAL RESOURCES



CLICK TO VIEW >