

WEATHER RESISTANT SERIES

# WEATHER RESISTANT BENCH 48

Product No. FW009

Soft, durable, quick drying, lightweight, and weather resistant is what you can expect from Fōmcore's new outdoor-friendly furniture. Produced using marine grade nylon thread and Bayside vinyl with UV and fade resistant protection, you can enjoy the same Fōmcore quality and craftsmanship backed with a 3-year warranty.



## DETAILS

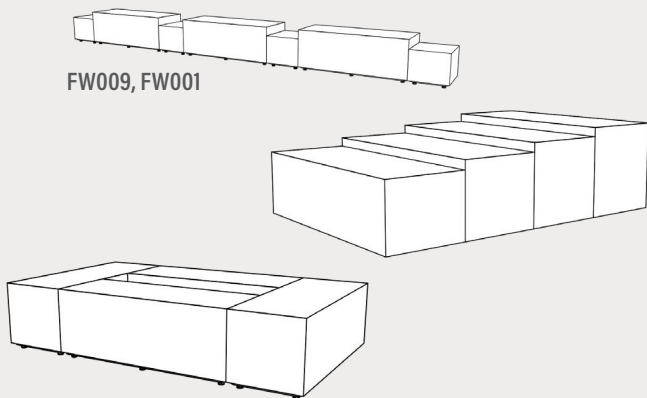
### CONSTRUCTION

- Solid foam construction
- Reinforced seams and stitching
- Marine grade Bayside textile
- Exterior wood base
- Made in USA
- Backed with a 3-year warranty
- 1" low profile leg (L1)

### MODIFICATION

- Seat height
- Stitching color
- Bayside textile color

## QUICK COMBOS



FW009, FW001

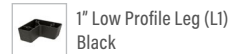
# HOW TO SPECIFY FW009

## STEP 1: SEAT HEIGHT

| DIMENSION (L x W) | SEAT HEIGHT |
|-------------------|-------------|
| <br>48" x 18"     | 14"         |
|                   | 16"         |
|                   | 18"         |
|                   | 20"         |

## STEP 2: FOOT

### 1" STANDARD FOOT OPTION



## STEP 3: GRADE AND TEXTILE

### WEATHER RESISTANT PRODUCTS ONLY AVAILABLE IN BAYSIDE:

|  |            |  |           |  |          |  |           |
|--|------------|--|-----------|--|----------|--|-----------|
|  | Apple      |  | Fern      |  | Putty    |  | Taupe     |
|  | Bamboo     |  | Greige    |  | Red Pear |  | Tofu      |
|  | Berry      |  | Lt. Sand  |  | Shell    |  | Turquoise |
|  | Birch      |  | Med Grey  |  | Sky Grey |  | Vanilla   |
|  | Champagne  |  | Navy      |  | Slate    |  | Violet    |
|  | Empire Tan |  | Pebble    |  | Spicy    |  | Warm Grey |
|  | Espresso   |  | Periscope |  | Sugar    |  | White     |

### BAYSIDE VINYL



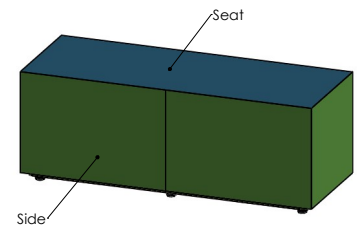
[CLICK TO VIEW »](#)

### FABRIC DIRECTION & COLOR GUIDE



[CLICK TO VIEW »](#)

### COLOR GUIDE



\*Thread will default to match the seat textile.

## STEP 4: CONFIGURE PART NUMBER

### FILL IN YOUR PART NUMBER

|        |   |   |   |   |   |        |   |  |   |  |      |   |        |   |
|--------|---|---|---|---|---|--------|---|--|---|--|------|---|--------|---|
| F      | W | 0 | 0 | 9 | - |        | x |  | x |  |      | - | L      | 1 |
| FAMILY |   |   |   |   |   | STEP 1 |   |  |   |  | FOOT |   | STEP 2 |   |

### EXAMPLE PART NUMBER

|        |   |   |   |   |   |        |   |   |   |   |      |   |        |   |   |   |
|--------|---|---|---|---|---|--------|---|---|---|---|------|---|--------|---|---|---|
| F      | W | 0 | 0 | 9 | - | 4      | 8 | x | 1 | 8 | x    | 1 | 4      | - | L | 1 |
| FAMILY |   |   |   |   |   | STEP 1 |   |   |   |   | FOOT |   | STEP 2 |   |   |   |

## STEP 5: CONFIGURE DESCRIPTION

### FILL IN YOUR DESCRIPTION

#### 1. SEAT

|          |       |              |         |       |
|----------|-------|--------------|---------|-------|
| 1. Seat  | 1     | Morbern      | Bayside |       |
| LOCATION | GRADE | MANUFACTURER | PATTERN | COLOR |

#### 2. SIDE

|          |       |              |         |       |
|----------|-------|--------------|---------|-------|
| 2. Side  | 1     | Morbern      | Bayside |       |
| LOCATION | GRADE | MANUFACTURER | PATTERN | COLOR |

#### FOOT

|                            |
|----------------------------|
| 1" Low Profile Leg - Black |
| NAME/COLOR                 |

STEP 3

### EXAMPLE DESCRIPTION

#### 1. SEAT

|          |       |              |         |       |
|----------|-------|--------------|---------|-------|
| 1. Seat  | 1     | Morbern      | Bayside | Apple |
| LOCATION | GRADE | MANUFACTURER | PATTERN | COLOR |

#### 2. SIDE

|          |       |              |         |       |
|----------|-------|--------------|---------|-------|
| 2. Side  | 1     | Morbern      | Bayside | Navy  |
| LOCATION | GRADE | MANUFACTURER | PATTERN | COLOR |

#### FOOT

|                            |
|----------------------------|
| 1" Low Profile Leg - Black |
| NAME/COLOR                 |

INCLUDE ON PURCHASE ORDER

## EXAMPLE CONFIGURATION

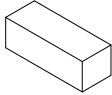
FW009-48x18x14-L1

1. Seat: Grade 1, Morbern, Bayside, Apple | 2. Side: Grade 1, Morbern, Bayside, Navy

Foot: 1" Low Profile Leg Black

## PRODUCT BREAKDOWN

### BENCH 48 (FW009)



| Product No.    | Dimen./Weight<br>(L x W x H) | Foot<br>L1 |
|----------------|------------------------------|------------|
| FW009-48x18x14 | 48" x 18" x 14"<br>21 lbs.   | ✓          |
| FW009-48x18x16 | 48" x 18" x 16"<br>24 lbs.   | ✓          |
| FW009-48x18x18 | 48" x 18" x 18"<br>26 lbs.   | ✓          |
| FW009-48x18x20 | 48" x 18" x 20"<br>29 lbs.   | ✓          |

**Fomcore**  
SERVE. CREATE. INSPIRE.

1770 E. Keating Ave - Muskegon, MI 49442 • Tel: 231.366.4791 • [www.fomcore.com](http://www.fomcore.com)

### ADDITIONAL RESOURCES



[CLICK TO VIEW >](#)