

WEATHER RESISTANT SERIES

WEATHER RESISTANT CRESCENT OTTOMAN

Product No. FW003

Soft, durable, quick drying, lightweight, and weather resistant is what you can expect from Fōmcore's new outdoor-friendly furniture. Produced using marine grade nylon thread and Bayside vinyl with UV and fade resistant protection, you can enjoy the same Fōmcore quality and craftsmanship backed with a 3-year warranty.



DETAILS

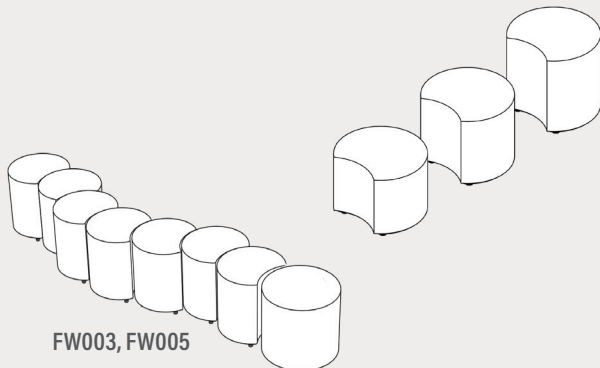
CONSTRUCTION

- Solid foam construction
- Reinforced seams and stitching
- Marine grade Bayside textile
- Exterior wood base
- Made in USA
- Backed with a 3-year warranty
- 1" low profile leg (L1)

MODIFICATION

- Seat height
- Stitching color
- Bayside textile color

QUICK COMBOS



HOW TO SPECIFY FW003

STEP 1: SEAT HEIGHT

DIMENSION (DIA)	SEAT HEIGHT
 18"	12"
	14"
	16"
	18"
	20"

STEP 2: FOOT

1" STANDARD FOOT OPTION



STEP 3: GRADE AND TEXTILE

WEATHER RESISTANT PRODUCTS ONLY AVAILABLE IN BAYSIDE:



BAYSIDE VINYL



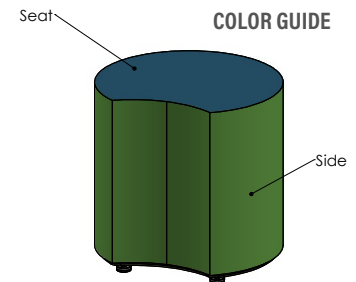
[CLICK TO VIEW >](#)

FABRIC DIRECTION & COLOR GUIDE



[CLICK TO VIEW >](#)

*Thread will default to match the seat textile.



STEP 4: CONFIGURE PART NUMBER

FILL IN YOUR PART NUMBER

F	W	0	0	3	-		x		-	L	1
FAMILY						DIA				FOOT	
					STEP 1					STEP 2	

EXAMPLE PART NUMBER

F	W	0	0	3	-	1	8	x	1	8	-	L	1
FAMILY						DIA				FOOT			

STEP 5: CONFIGURE DESCRIPTION

FILL IN YOUR DESCRIPTION

1. SEAT

1. Seat	1	Morbern	Bayside	
LOCATION	GRADE	MANUFACTURER	PATTERN	COLOR

2. SIDE

2. Side	1	Morbern	Bayside	
LOCATION	GRADE	MANUFACTURER	PATTERN	COLOR

FOOT

1" Low Profile Leg - Black
NAME/COLOR

STEP 3

EXAMPLE DESCRIPTION

1. SEAT

1. Seat	1	Morbern	Bayside	Apple
LOCATION	GRADE	MANUFACTURER	PATTERN	COLOR

2. SIDE

2. Side	1	Morbern	Bayside	Navy
LOCATION	GRADE	MANUFACTURER	PATTERN	COLOR

FOOT

1" Low Profile Leg - Black
NAME/COLOR

INCLUDE ON PURCHASE ORDER

EXAMPLE CONFIGURATION

FW003-18x18-L1

1. Seat: Grade 1, Morbern, Bayside, Apple | 2. Side: Grade 1, Morbern, Bayside, Navy

Foot: 1" Low Profile Leg Black

PRODUCT BREAKDOWN

CRESCENT OTTOMAN (FW003)



Product No.	Dimen./Weight (Dia x H)	Foot L1
FW003-18x12	18" x 12" 7 lbs.	✓
FW003-18x14	18" x 14" 8 lbs.	✓
FW003-18x16	18" x 16" 9 lbs.	✓
FW003-18x18	18" x 18" 10 lbs.	✓
FW003-18x20	18" x 20" 11 lbs.	✓

Fōmcore
SERVE. CREATE. INSPIRE.

1770 E. Keating Ave - Muskegon, MI 49442 • Tel: 231.366.4791 • www.fomcore.com

ADDITIONAL RESOURCES



[CLICK TO VIEW »](#)