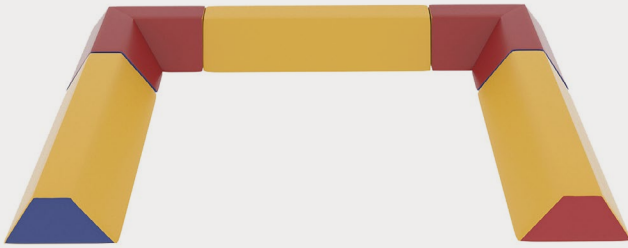


CREATE YOUR COMBO

BALANCE BEAM COMBO

Product Numbers FK042, FK041



DETAILS

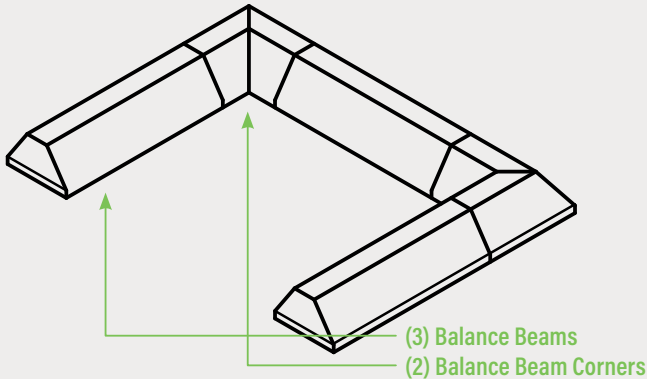
CONSTRUCTION

- Solid foam construction
- Reinforced seams and stitching
- Made in USA
- Backed with a lifetime warranty

MODIFICATION

- Seat height
- Textile and placement
- Fully zippered (no wood base)
- Colored stitching and zipper

COMBO BREAKDOWN



HOW TO SPECIFY A BALANCE BEAM

STEP 1: HEIGHT

BALANCE BEAM

DIMENSION (L x W)	HEIGHT
48" X 18"	11"

BALANCE BEAM CORNER

DIMENSION (L x W)	HEIGHT
26" X 26"	11"

STEP 2: FULLY ZIPPERED

FULLY ZIPPERED



Fully Zippered (Z)

**Reference the product breakdown on back for availability.*

STEP 3: GRADE AND TEXTILE

GRADES & SWATCHES



[CLICK TO VIEW »](#)

FABRIC DIRECTION & COLOR GUIDES

Balance Beam



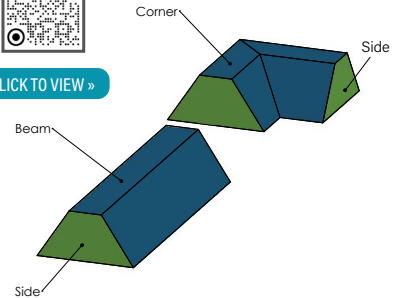
[CLICK TO VIEW »](#)

Balance Beam Corner



[CLICK TO VIEW »](#)

COLOR GUIDES



**Thread will default to match the seat textile.*

STEP 4: MODIFICATIONS (OPTIONAL)

FLAME RETARDANT

- CAL TB-133 - Optional flame retardant add on.

**Reference the product breakdown on back for availability.*



STEP 5: CONFIGURE PART NUMBER

FILL IN YOUR PART NUMBER

						-		x		x				-					
FAMILY				STEP 1								STEP 2							
L				W				H				ZIP							

EXAMPLE PART NUMBER

F	K	0	4	1	-	4	8	x	1	8	x	1	1	-	Z				
FAMILY				STEP 1								STEP 2							
L				W				H				ZIP							

STEP 6: CONFIGURE DESCRIPTION

FILL IN YOUR DESCRIPTION

1. SIDE

1. Side					
LOCATION	GRADE	MANUFACTURER	PATTERN	COLOR	

2. BEAM OR CORNER

2. Beam					
LOCATION	GRADE	MANUFACTURER	PATTERN	COLOR	

3. CORNER

3. Corner					
LOCATION	GRADE	MANUFACTURER	PATTERN	COLOR	

EMBROIDERY*

LOCATION	NAME

FLAME RETARDANT*

--

STEP 3

EXAMPLE DESCRIPTION

1. SIDE

1. Side	1	Spradling	Silvertex	Sage
LOCATION	GRADE	MANUFACTURER	PATTERN	COLOR

2. BEAM OR CORNER

2. Beam	3	Momentum	Tribeca	Fossil
LOCATION	GRADE	MANUFACTURER	PATTERN	COLOR

3. CORNER

2. Corner	1	Spradling	Silvertex	Acid
LOCATION	GRADE	MANUFACTURER	PATTERN	COLOR

EMBROIDERY*

Seat	Rocket Logo
LOCATION	NAME

FLAME RETARDANT*

CAL TB-133

*Optional add-ons. Reference product breakdown for availability.

INCLUDE ON PURCHASE ORDER

REPEAT STEP 5 & 6 FOR EACH PRODUCT NUMBER.

EXAMPLE CONFIGURATION

FK041-48x18x11-Z

1. Side: Grade 1, Spradling, Silvertex, Sage | 2. Beam: Grade 3, Momentum, Tribeca, Fossil | 3. Corner: Grade 1, Spradling, Silvertex, Acid
Embroidery: Seat, Rocket logo | CAL TB-133

PRODUCT BREAKDOWN

BALANCE BEAM COMBO

Product No./ Description	Dimen./Weight (L x W x H)	Zip Z	FOOT AND FINISH OPTIONS												INTEGRATED POWER OPTIONS								HPL	Emb.
			Standard		3" Premium		6" Premium						Standard		3" Premium		6" Premium							
			G1	L1	R3	C3	S16	S29	C6	T6	R6	M6	G1	L1	R3	C3	S16	S29	C6	T6	R6	M6		
Balance Beam FK041-48x18x11	48" x 18" x 11" 6.5 lbs.	✓	-	-	-	-	-	-	-	-	-	-	-	-	-	-	-	-	-	-	-	-	-	-
Balance Beam Corner FK042-26x26x11	26" x 26" x 11" 4.5 lbs.	✓	-	-	-	-	-	-	-	-	-	-	-	-	-	-	-	-	-	-	-	-	-	-



1770 E. Keating Ave - Muskegon, MI 49442 • Tel: 231.366.4791 • www.fomcore.com

ADDITIONAL
RESOURCES



CLICK TO VIEW »