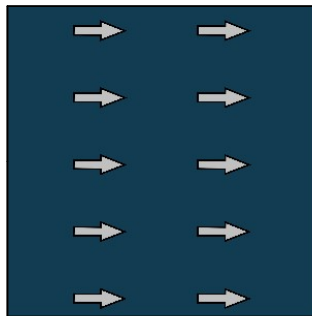
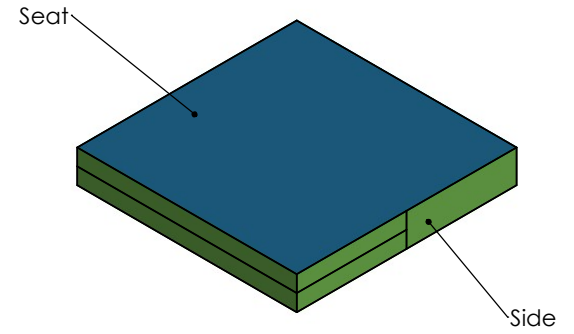
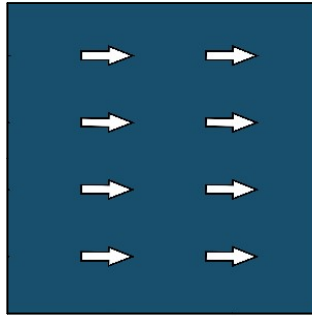
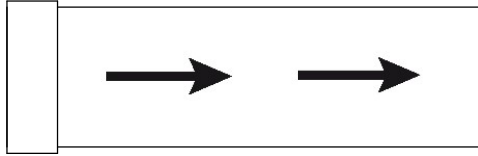


8 7 6 5 4 3 2 1

ARROWS INDICATE FABRIC DIRECTION ON ROLL

REVISIONS			
REV.	DESCRIPTION OF CHANGE	DATE	ENG
A	created	9/20/2023	BBM



D

D

C

C

B

B

A

A

Default thread color to match surface 1

Default zipper color to match zippered surface

Surface #	Surface Name	Color
1	Seat	
2	Side	

WEIGHT	NAME	DATE
lbs	B. Matiga	9/21/2023

CUST APPRVD.

PROPRIETARY AND CONFIDENTIAL
THE INFORMATION CONTAINED IN THIS DRAWING IS THE SOLE PROPERTY OF FOMCORE LLC. ANY REPRODUCTION IN PART OR AS A WHOLE WITHOUT THE WRITTEN PERMISSION OF FOMCORE LLC IS PROHIBITED.



Fōmcore
SERVE. CREATE. INSPIRE.

PART NO. **FK065-Custom Colorguide**

DESCRIPTION **Fun Pad Custom Colorguide**

SHEET 1 OF 1
REV **A**

8 7 6 5 4 3 2 1