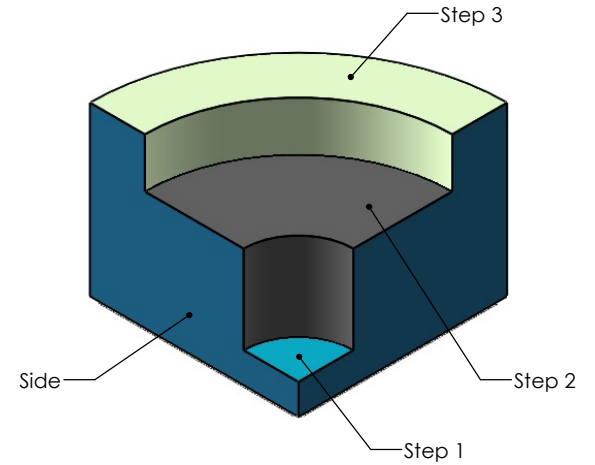
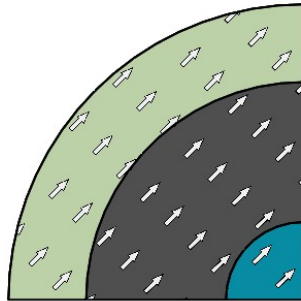
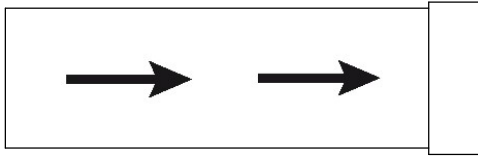
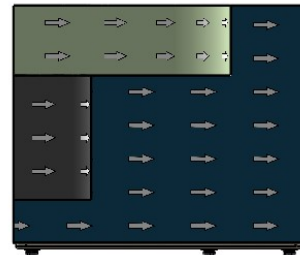
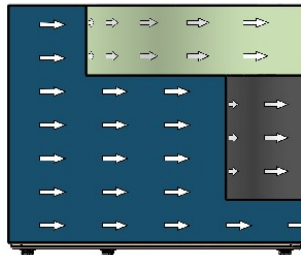
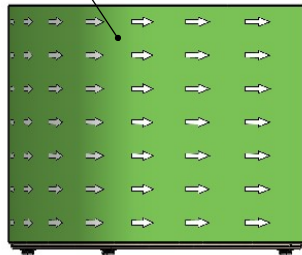


8 7 6 5 4 3 2 1

ARROWS INDICATE FABRIC DIRECTION ON ROLL



Back



REVISIONS			
REV.	DESCRIPTION OF CHANGE	DATE	ENG
A	created	7/24/2024	BBM

Default thread color to match surface 1

Default zipper color to match zippered surface

Surface #	Surface Name	Color
1	Side	
2	Back	
3	Step 1	
4	Step 2	
5	Step 3	

WEIGHT	NAME	DATE
47.70 lbs	B. Matiga	7/24/2024

CUST APPRVD.

PROPRIETARY AND CONFIDENTIAL
 THE INFORMATION CONTAINED IN THIS DRAWING IS THE SOLE PROPERTY OF FOMCORE LLC. ANY REPRODUCTION IN PART OR AS A WHOLE WITHOUT THE WRITTEN PERMISSION OF FOMCORE LLC IS PROHIBITED.

THIRD ANGLE PROJECTION

DO NOT SCALE DRAWING

Fōmcore
 SERVE. CREATE. INSPIRE.

Drawing NO.	F089-Standard Colorguide	SHEET 1 OF 1
DESCRIPTION	Curved 3 Step In, 38x38x32, G1	REV A

8 7 6 5 4 3 2 1