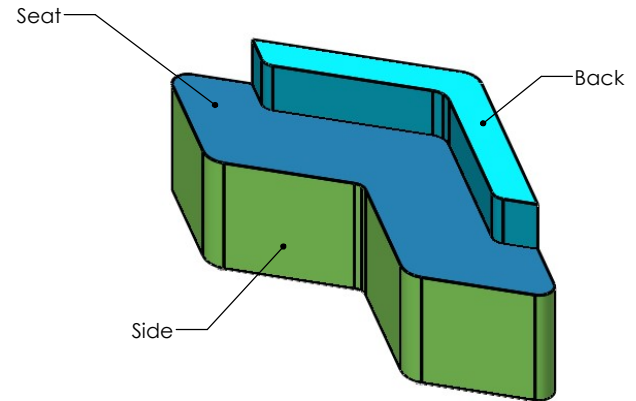
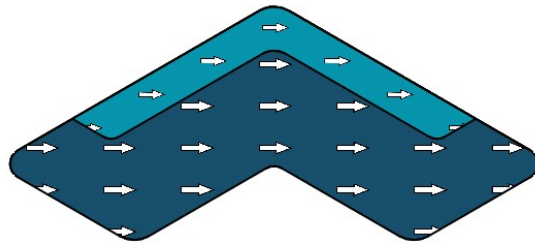
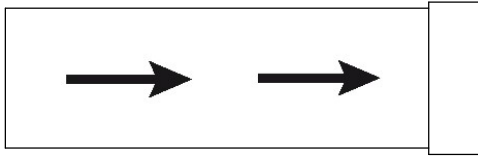
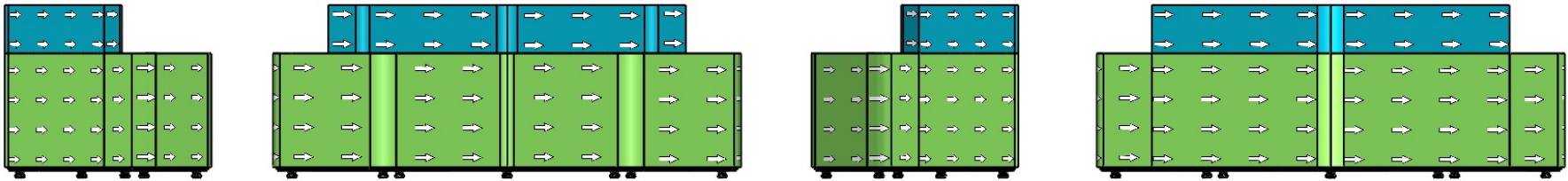


8 7 6 5 4 3 2 1

ARROWS INDICATE FABRIC DIRECTION ON ROLL



| REVISIONS | | | |
|-----------|-----------------------|-----------|-----|
| REV. | DESCRIPTION OF CHANGE | DATE | ENG |
| A | created | 7/29/2024 | BBM |



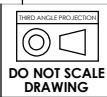
Default thread color to match surface 1

Default zipper color to match zippered surface

| Surface # | Surface Name | Color |
|-----------|--------------|-------|
| 1 | Seat | |
| 2 | Side | |
| 3 | Back | |

| WEIGHT | NAME | DATE |
|--------|-----------|-----------|
| lbs | B. Matiga | 7/29/2024 |

PROPRIETARY AND CONFIDENTIAL
 THE INFORMATION CONTAINED IN THIS DRAWING IS THE SOLE PROPERTY OF FOMCORE LLC. ANY REPRODUCTION IN PART OR AS A WHOLE WITHOUT THE WRITTEN PERMISSION OF FOMCORE LLC IS PROHIBITED.



Drawing NO. **F046-Standard Colorguide**

DESCRIPTION **Boomerang Sofa Standard Colorguide**

SHEET 1 OF 1

REV **A**

8 7 6 5 4 3 2 1