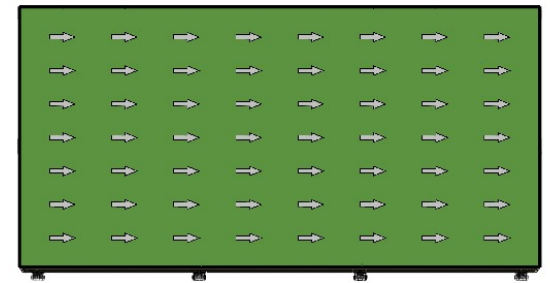
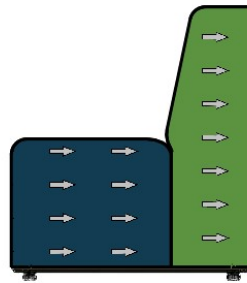
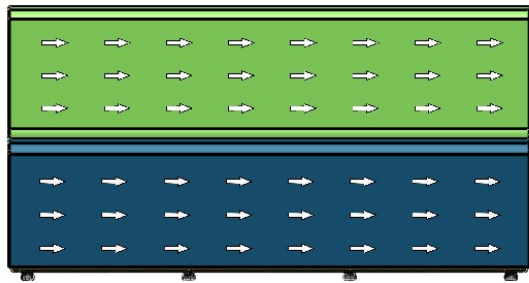
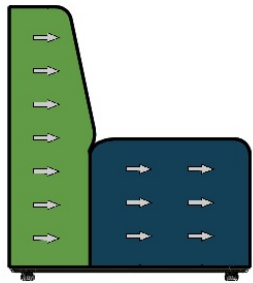
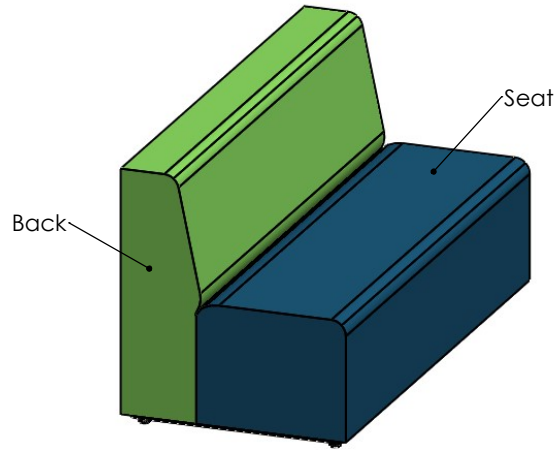
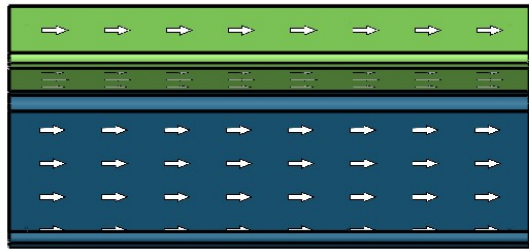


8 7 6 5 4 3 2 1

ARROWS INDICATE FABRIC DIRECTION ON ROLL

REVISIONS			
REV.	DESCRIPTION OF CHANGE	DATE	ENG
A	created	2/8/2023	BBM



A

Default thread color
to match surface 1-Seat

Default zipper color
to match zippered surface

Surface	Color
Seat	
Back	

WEIGHT	NAME	DATE
72.57 lbs	B. Matiga	5/19/2023

CUST APPRVD.

PROPRIETARY AND CONFIDENTIAL
THE INFORMATION CONTAINED IN THIS
DRAWING IS THE SOLE PROPERTY OF
FOMCORE LLC. ANY REPRODUCTION IN
PART OR AS A WHOLE WITHOUT THE
WRITTEN PERMISSION OF FOMCORE LLC
IS PROHIBITED.



Fōmcore
SERVE. CREATE. INSPIRE.

PART NO.	F019-Standard Colorguide	SHEET 1 OF 1
DESCRIPTION	Armless Sofa Standard Colorguide	REV A

8 7 6 5 4 3 2 1